

Installation Guide for M-Weld Snap-On Coping and M-Weld Snap-On Coping Plus

Snap-On Coping with Intermittent Clips

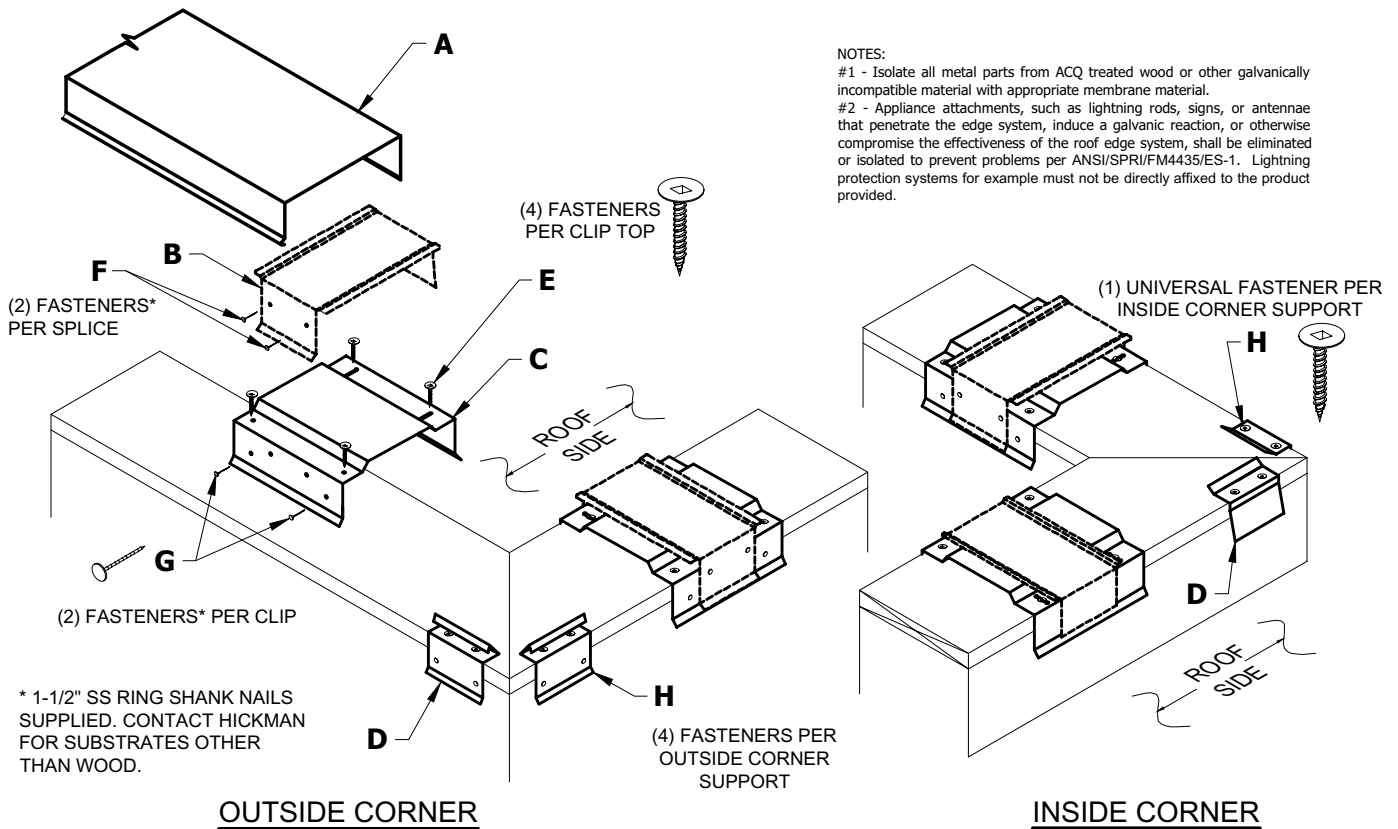
1 CAMPUS DRIVE, PARSIPPANY, NJ 07054 USA

973-628-3000

WWW.GAF.COM

The GAF logo consists of the letters "GAF" in a bold, white, sans-serif font, centered within a solid red square.

STRAIGHT LENGTH CLIP SPACING
40" O.C. FOR ALL SIZES



NOTE: ALL MITERS, END CONDITIONS, AND ACCESSORY CONDITIONS SHOULD BE INSTALLED PRIOR TO STRAIGHT SECTIONS

A. Formed Coping Cap

10'-0" Lengths

B. 6" Wide Concealed Joint Splice

One (1) at Each Clip Location

C. 12" Wide Galv. Steel Clips

Spaced @ 40" O.C.

D. Corner Supports (Inside & Outside)

Used to Support Outside and Inside Miters

E. #14 x 1-1/2" Universal Fasteners

Four (4) Per Clip Top

(Included & Required)

F. Splice Fasteners

1-1/2" SS Ring Shank Nails Supplied

Two (2) Per Splice

(Included & Required)

G. Clip Fasteners

1-1/2" SS Ring Shank Nails Supplied

Two (2) Per Clip

(Included & Required)

H. Corner Support Fasteners

Two (2) #14 x 1-1/2" Universal Fasteners

Per Corner Support (Included & Required)

Two (2) 1-1/2" SS Ring Shank Nails Per

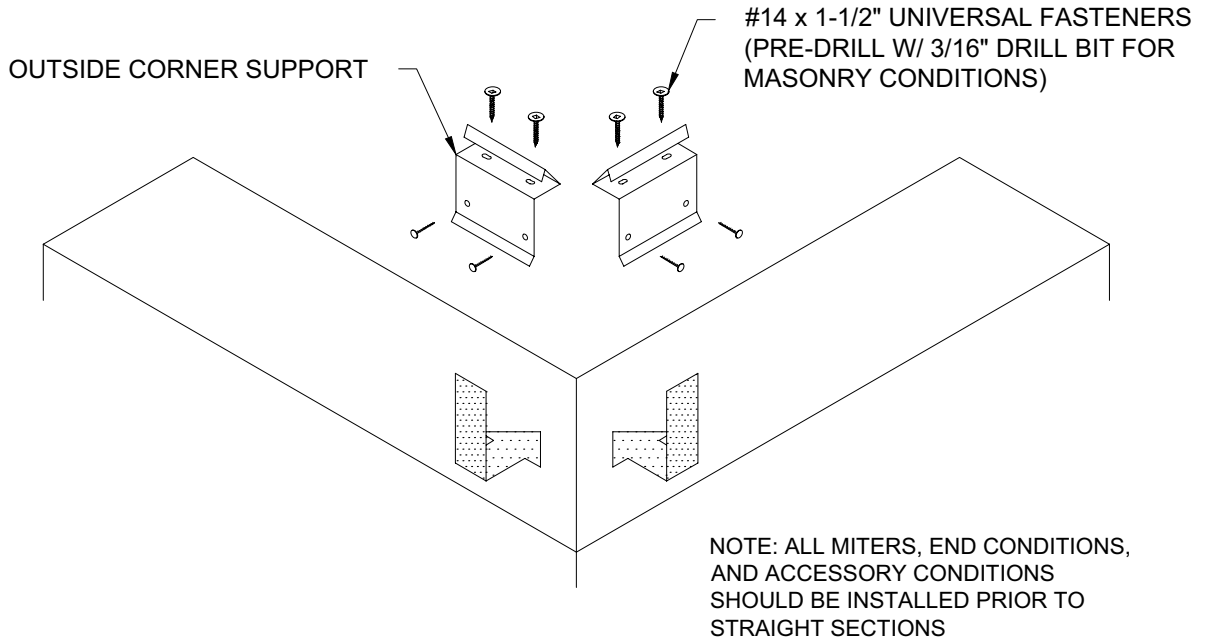
Outside Corner Support

(Included & Required)

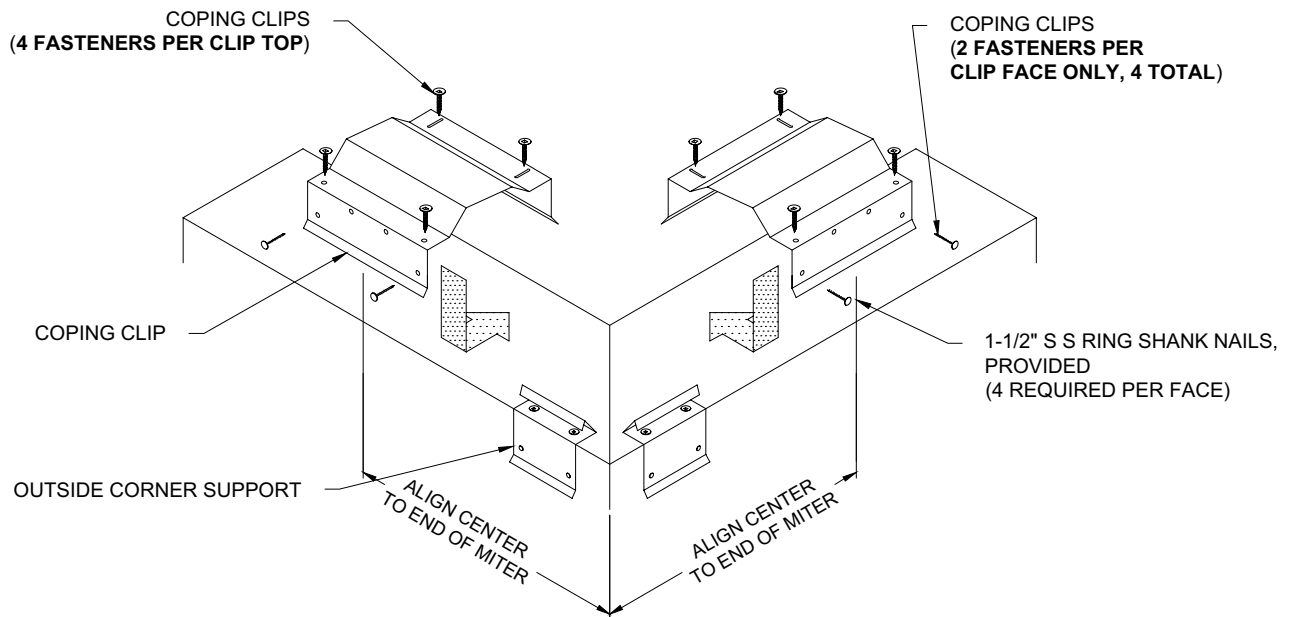
Reference Guide

1.	Standard Installation Steps	Page 4
1.1.	Corner Supports	Page 4
1.2.	Coping Clip	Page 4
1.3.	Coping Splice	Page 5
1.4.	Coping Miter	Page 5
1.5.	Coping End Condition	Page 6
1.6.	Coping Straight Section	Page 6
2.	Accessory Condition Guide	Page 7
2.1.	Inline Miter Conditions	Page 8
2.2.	Pier Miter Conditions	Page 9
2.3.	Tee Miter Conditions	Page 10
2.4.	Ridge Miter Conditions	Page 11
2.5.	Valley Miter Conditions	Page 11
2.6.	Horizontal Zee Miter Conditions	Page 12
2.7.	Vertical Zee Miter Conditions	Page 13
2.8.	Vaulted Conditions	Page 14
2.9.	Radius Conditions	Page 15

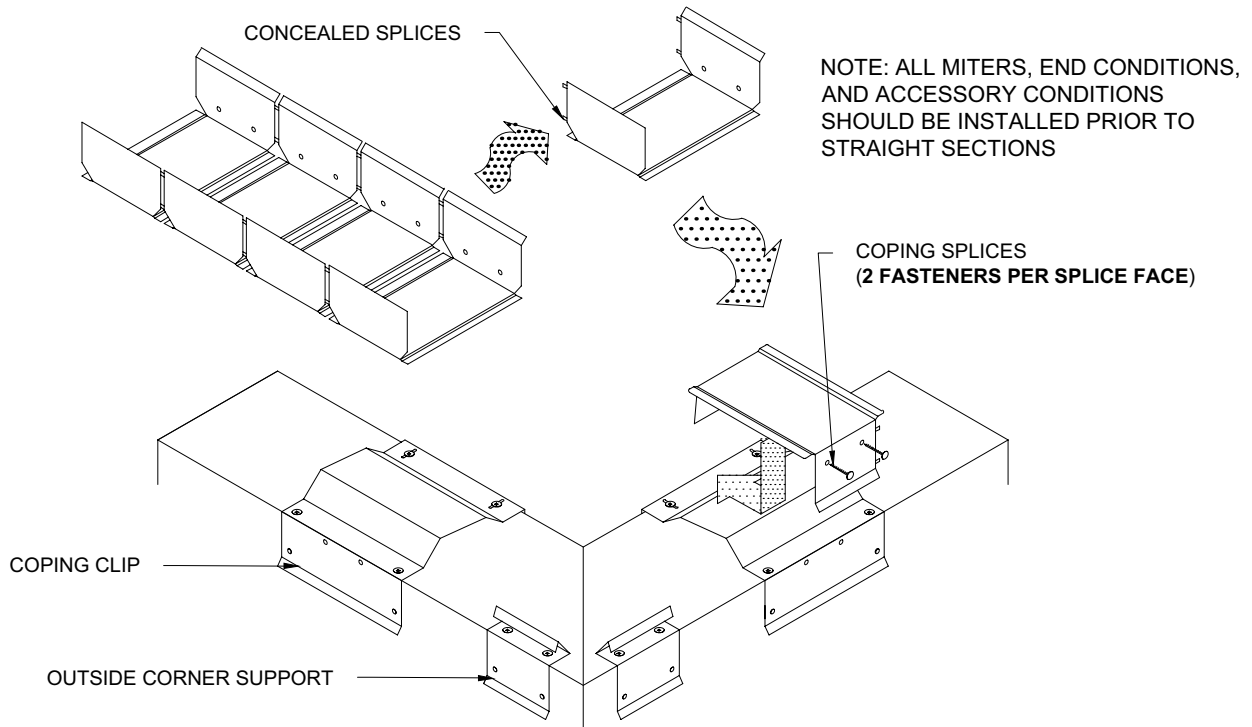
STEP 1: BEGIN COPING INSTALLATION AT CORNER LOCATIONS AS SHOWN IN PICTURE BELOW BY INSTALLING CORNER SUPPORTS FLUSH AGAINST THE SUBSTRATE THEN USING THE FASTENERS PROVIDED FOR SECUREMENT.



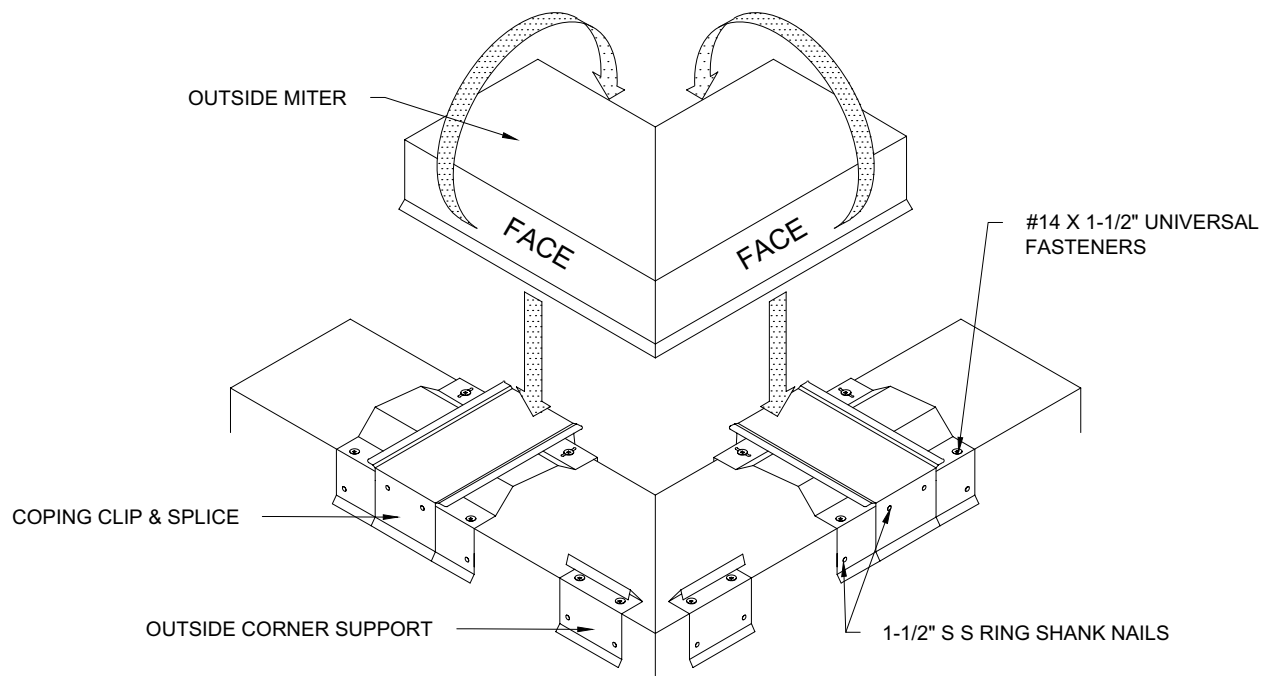
STEP 2: ALIGN CENTER OF EACH CLIP FROM THE CORNER SUCH THAT THE MITER LEG SITS HALF-WAY OVER EACH CLIP AS SEEN IN STEPS 3 & 4 (PAGE 4)



STEP 3: LOCATE SPLICES AND SEPARATE FROM THE SET. SECURE EACH SPLICE USING THE FASTENERS PROVIDED TOTALING 4 PER FACE AND 4 PER TOP.

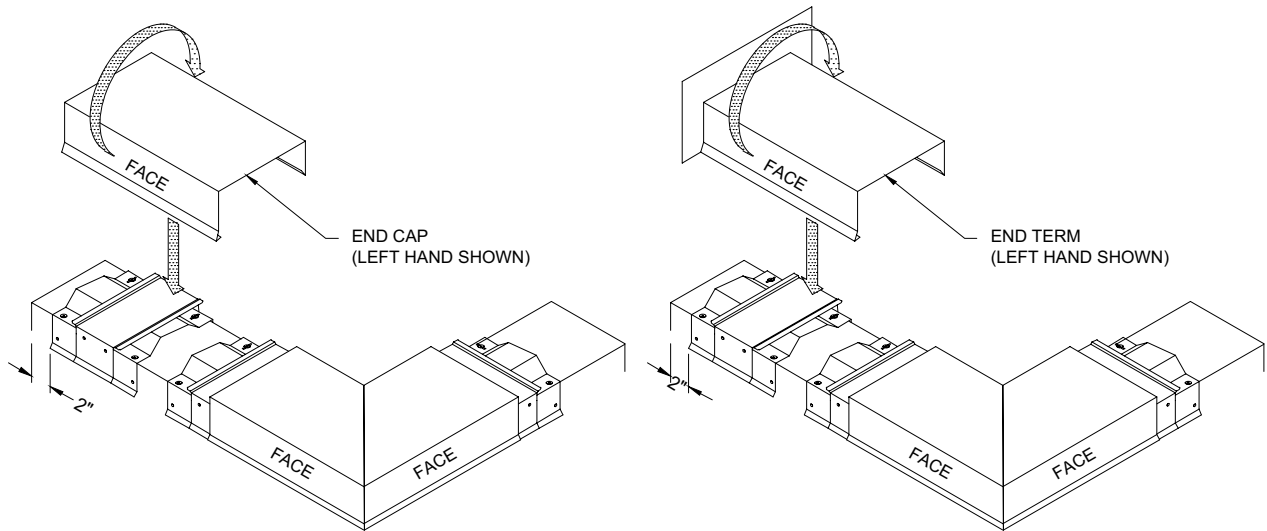


STEP 4: LOCATE MITER AND PLACE ONE LEG OVER THE CORNER SUPPORT AND CLIP, ROTATE BACKWARD AND PRESS DOWNWARD ON CAP TO ENGAGE ONTO CLIP, THEN REPEAT ON ADJACENT LEG OF MITER. (INSIDE MITER IS INSTALLED IN THE SAME MANNER USING INSIDE CORNER SUPPORTS).



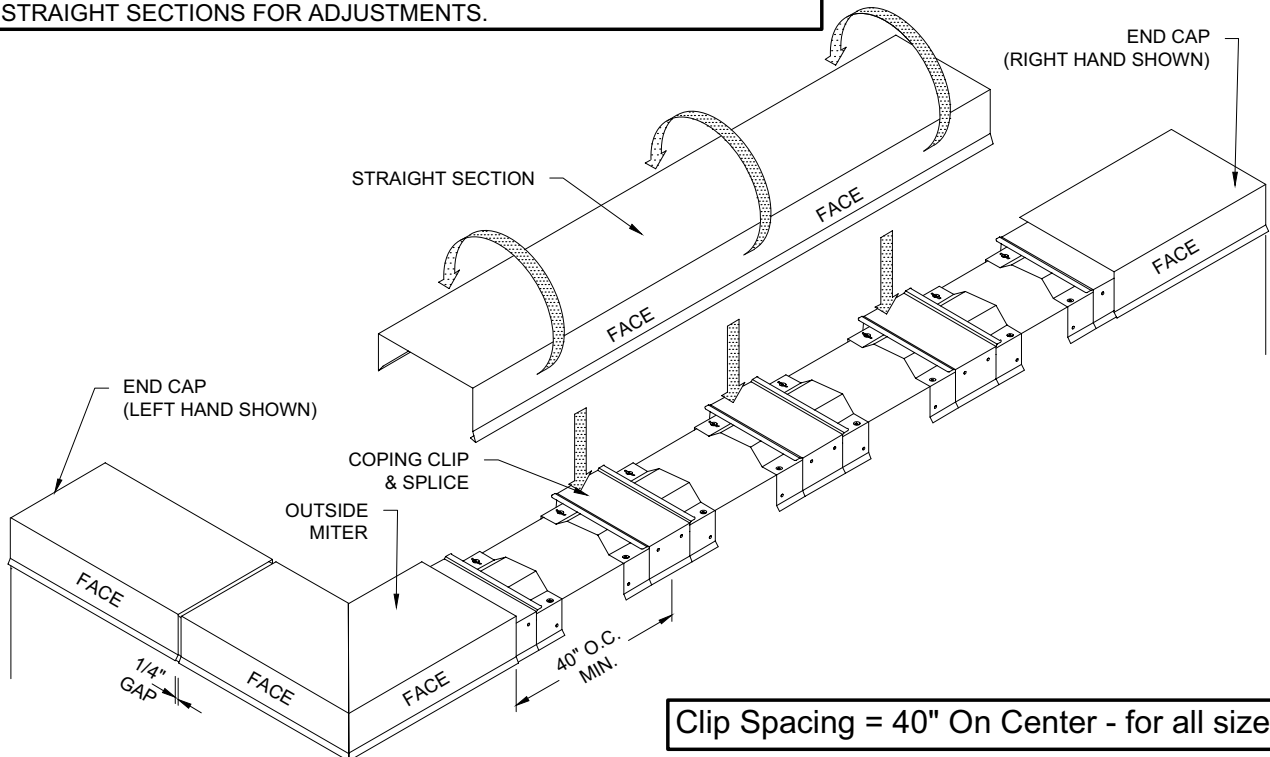
STEP 5: PLACE CLIPS AT END LOCATIONS SHOWN BELOW AND LOCATE END CAPS/END TERMS AND HOOK ON FRONT OF CLIP, ROTATE BACKWARD AND PRESS DOWNWARD TO ENGAGE ONTO CLIP.

NOTE: ALL MITERS, END CONDITIONS, AND ACCESSORY CONDITIONS SHOULD BE INSTALLED PRIOR TO STRAIGHT SECTIONS



NOTE: ALL MITERS, END CONDITIONS, AND ACCESSORY CONDITIONS SHOULD BE INSTALLED PRIOR TO STRAIGHT SECTIONS

STEP 6: AFTER ALL CORNER AND END CONDITIONS ARE INSTALLED, INSTALL STRAIGHT SECTIONS, CUT DOWN AND ADJUST SPACING AS NEEDED. (DO NOT CUT CORNERS AND END CONDITIONS, USE STRAIGHT SECTIONS FOR ADJUSTMENTS.)



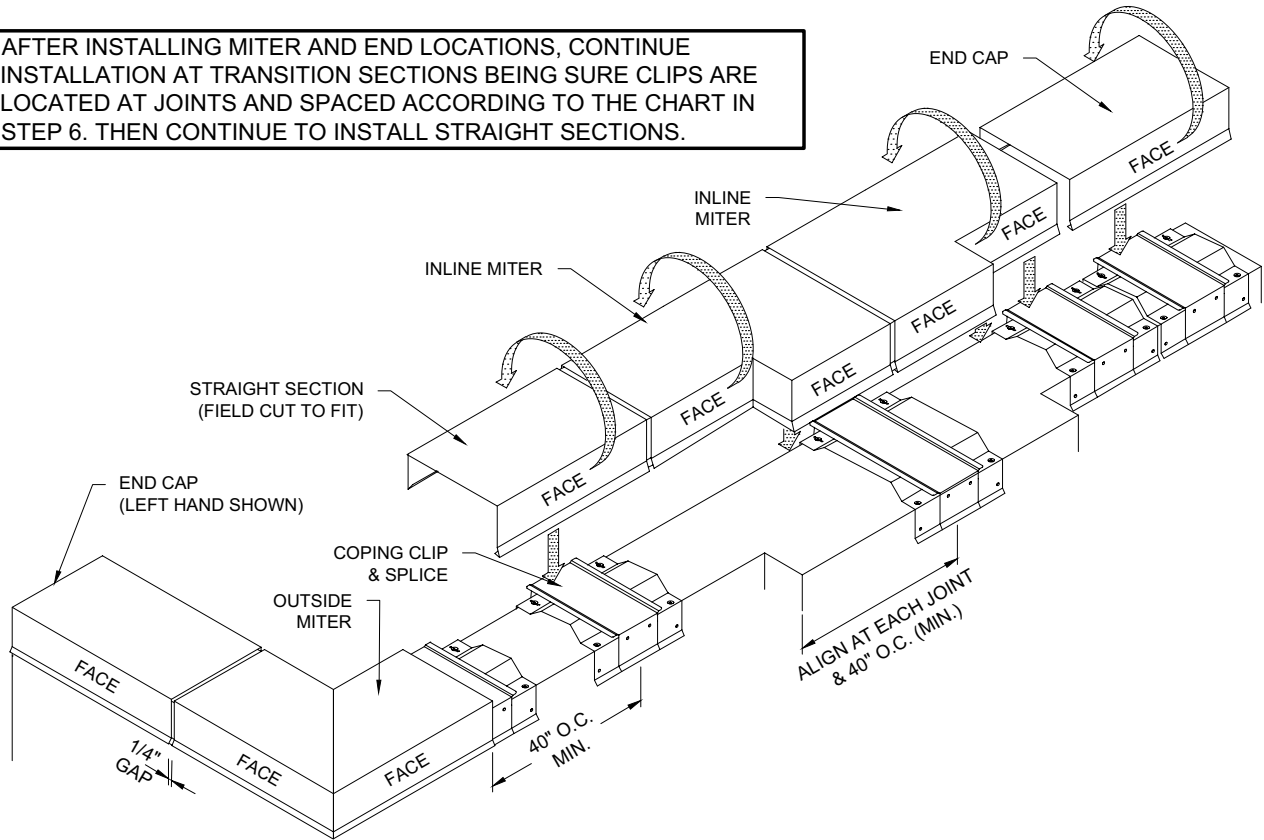
Clip Spacing = 40" On Center - for all sizes

Accessory Conditions Reference

- Inline Miter Conditions (Page 8)
- Pier Miter Conditions (Page 9)
- Tee Miter Conditions (Page 10)
- Ridge Miter Conditions (Page 11)
- Valley Miter Conditions (Page 11)
- Horizontal Zee Miter Conditions (Page 12)
- Vertical Zee Miter Conditions (Page 13)
- Vaulted Conditions (Page 14)
- Radius Conditions (Page 15)

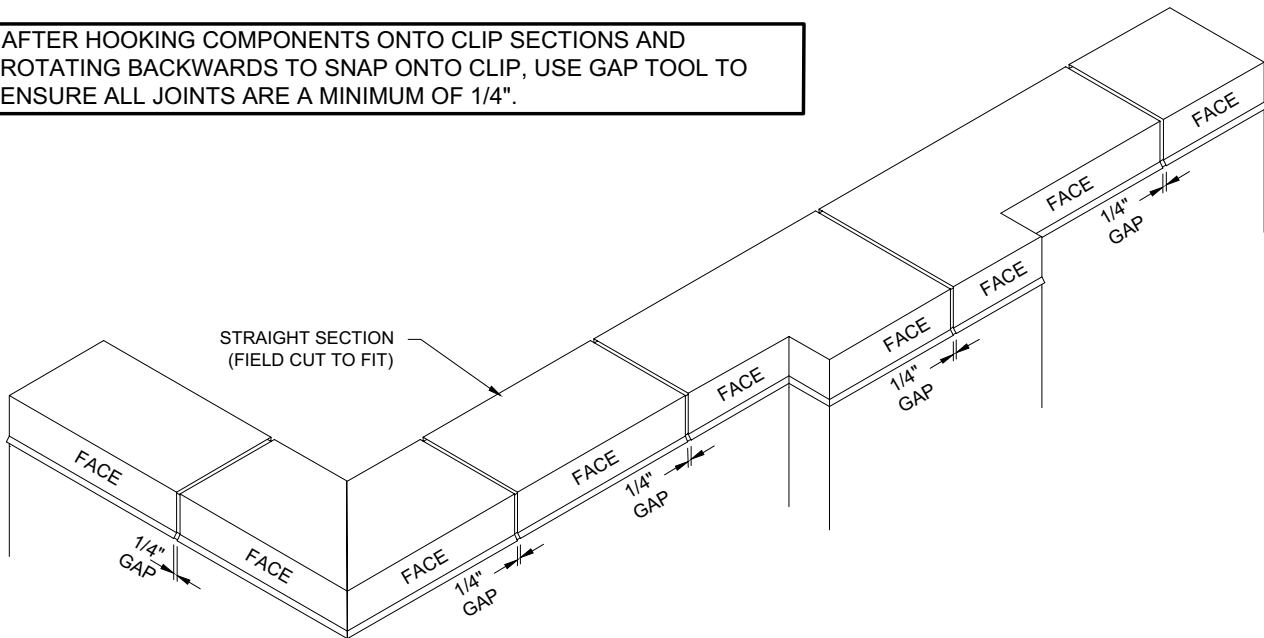
INLINE MITER CONDITIONS

AFTER INSTALLING MITER AND END LOCATIONS, CONTINUE INSTALLATION AT TRANSITION SECTIONS BEING SURE CLIPS ARE LOCATED AT JOINTS AND SPACED ACCORDING TO THE CHART IN STEP 6. THEN CONTINUE TO INSTALL STRAIGHT SECTIONS.



NOTE: ALL MITERS, END CONDITIONS, AND ACCESSORY CONDITIONS SHOULD BE INSTALLED PRIOR TO STRAIGHT SECTIONS

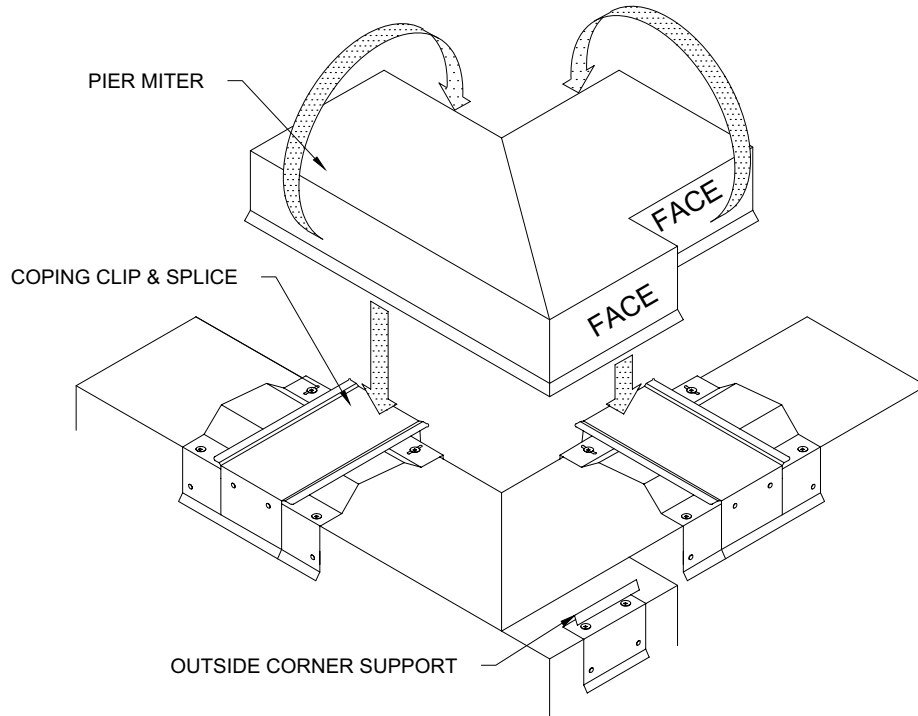
AFTER HOOKING COMPONENTS ONTO CLIP SECTIONS AND ROTATING BACKWARDS TO SNAP ONTO CLIP, USE GAP TOOL TO ENSURE ALL JOINTS ARE A MINIMUM OF 1/4".



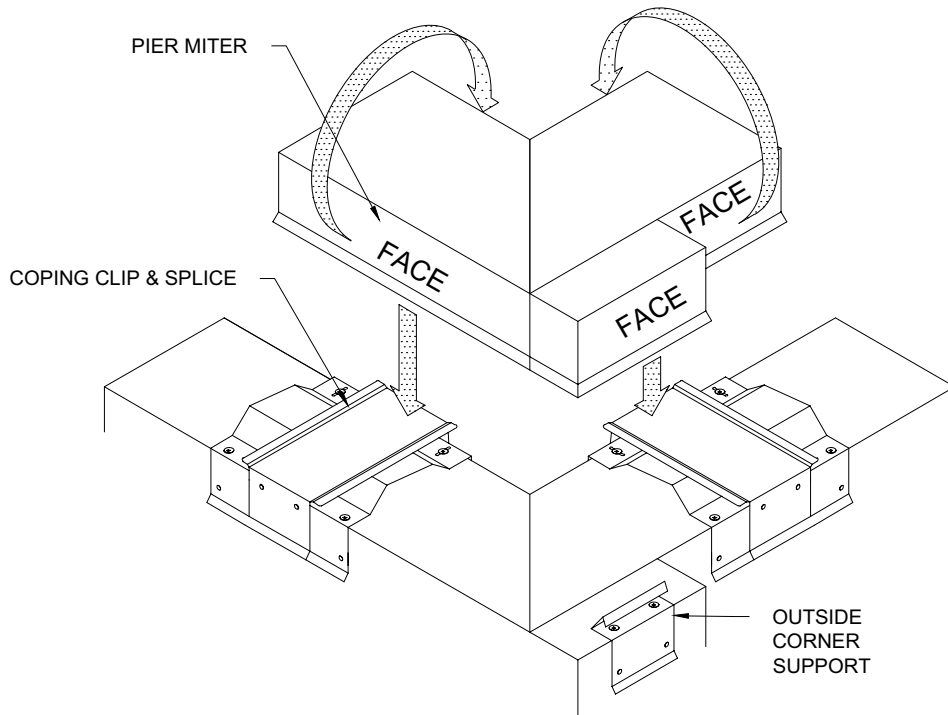
PIER MITER CONDITIONS

9

LOCATE OUTSIDE CORNER SUPPORT AT OUTSIDE PIER LOCATION FIRST. PROCEED WITH LOCATING CENTER OF CLIP/SPLICES AT END OF EACH MITER LEG. HOOK ONTO FRONT OF CORNER SUPPORT AND COPING CLIP, ROTATE BACKWARD ONTO CLIP AND PUSH DOWNWARD TO ENGAGE CAP ONTO CLIP, THEN PROCEED WITH ADJACENT LEG.

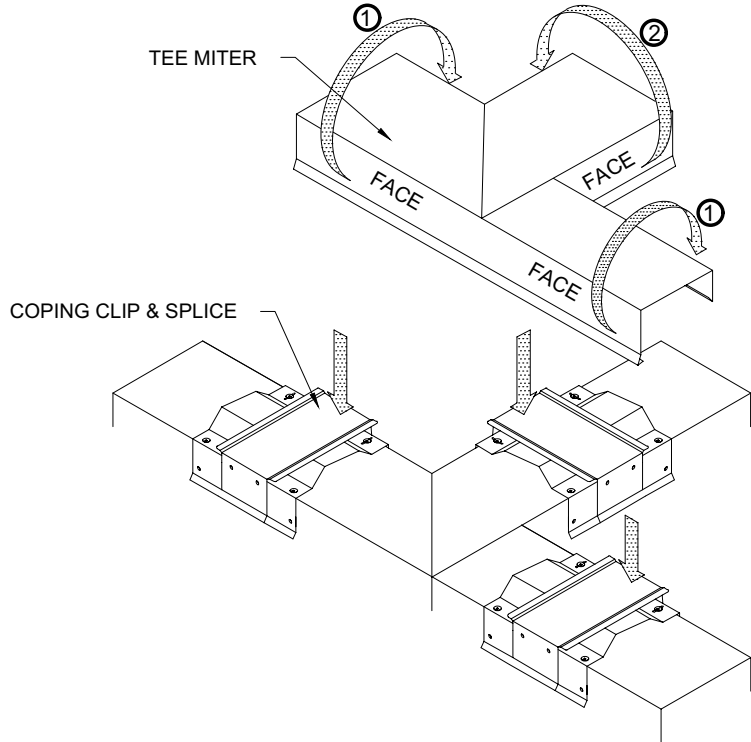


NOTE: ALL MITERS, END CONDITIONS, AND ACCESSORY CONDITIONS SHOULD BE INSTALLED PRIOR TO STRAIGHT SECTIONS

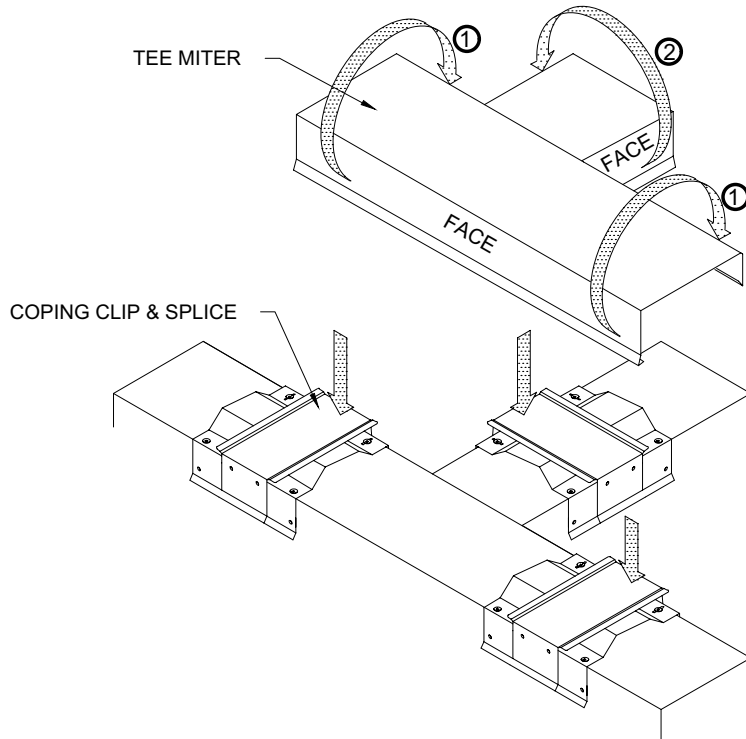


TEE MITER CONDITIONS

LOCATE CENTER OF CLIP/SPLICES AT END OF EACH MITER LEG. HOOK ONTO FRONT OF COPING CLIPS WHICH ARE IN-LINE FIRST, ROTATE BACKWARD ONTO CLIP AND PUSH DOWNWARD TO ENGAGE CAP ONTO CLIP, THEN PROCEED WITH ADJACENT LEG.

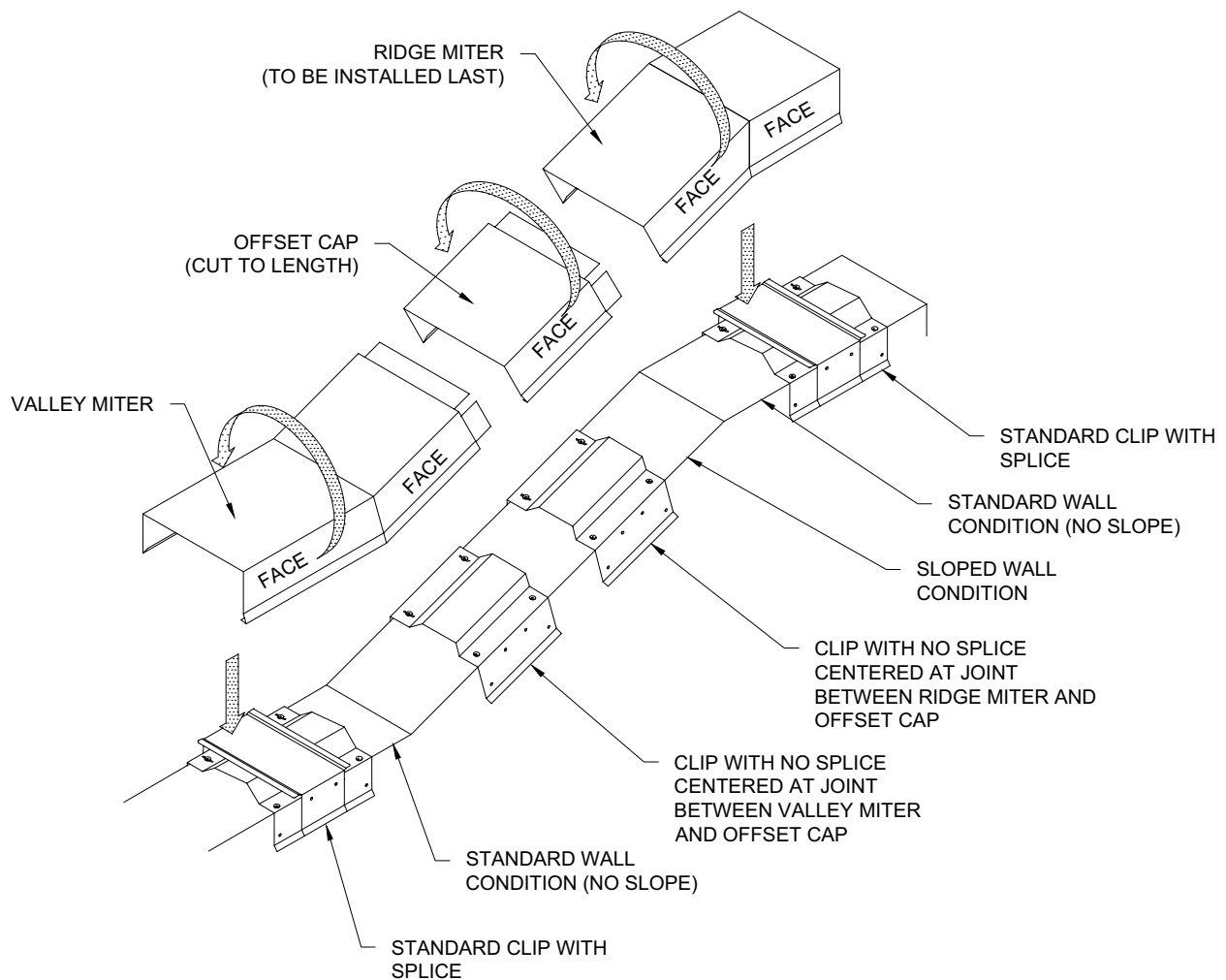


NOTE: ALL MITERS, END CONDITIONS, AND ACCESSORY CONDITIONS SHOULD BE INSTALLED PRIOR TO STRAIGHT SECTIONS



RIDGE MITER CONDITIONS & VALLEY MITER CONDITIONS

START BY INSTALLING END CONDITION ACCESSORIES (ENDCAPS AND ENDTERMS), CORNER MITERS AND VALLEY MITERS (RIDGE MITER WILL BE INSTALLED LAST). FOR VALLEY MITERS, LOCATE CLIPS AT JOINTS (NO SPLICE REQUIRED FOR SLOPED WALLS AS SHOWN BELOW). LOCATE RIDGE MITER NEXT, BE SURE TO LOCATE CENTER OF CLIPS TO ALIGN WITH END OF RIDGE MITER (NO SPLICE REQUIRED FOR SLOPED WALLS AS SHOWN BELOW). ADJUST OFFSET CAP LENGTHS (DO NOT CUT FROM OFFSET TAB SIDE) TO FIT IN BETWEEN MITER AND END CONDITIONS ON SLOPED WALLS. INSTALL RIDGE MITER AFTER ALL OTHER PARTS HAVE BEEN INSTALLED.



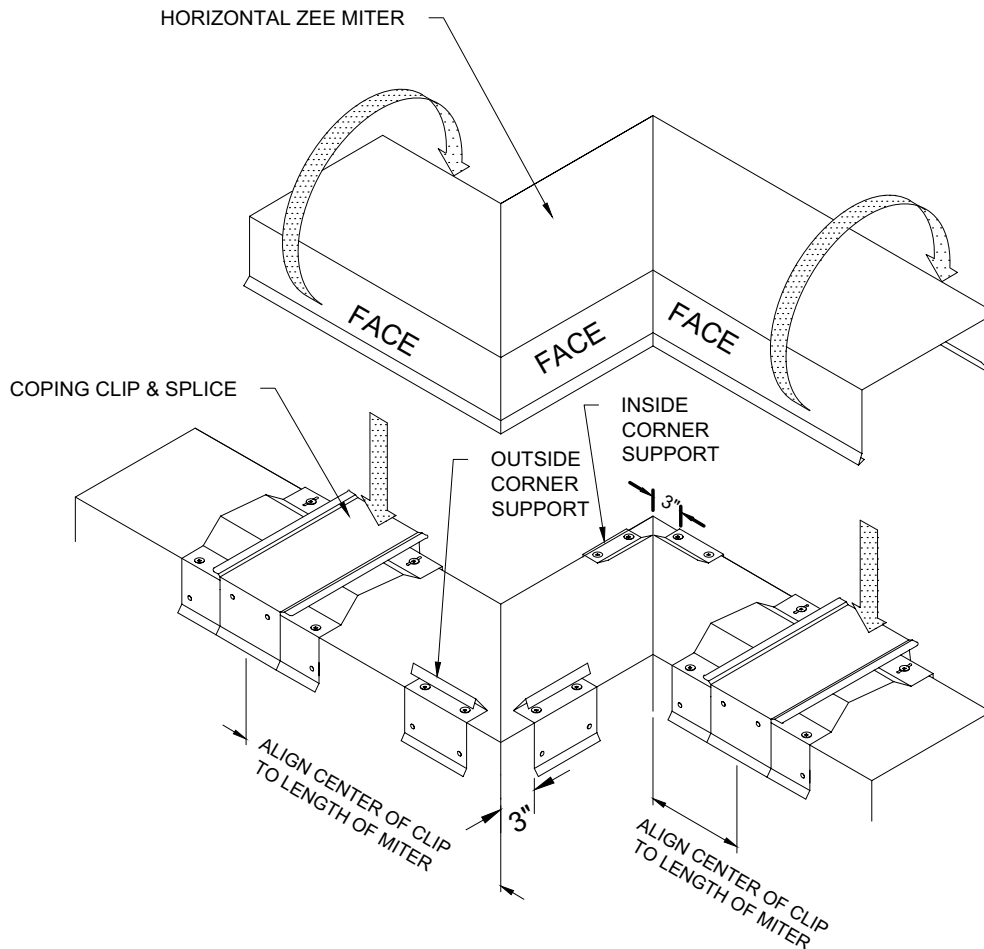
Clip Spacing = 40" On Center - for all sizes

NOTE: ALL MITERS, END CONDITIONS, AND ACCESSORY CONDITIONS (OTHER THAN RIDGE MITER) SHOULD BE INSTALLED PRIOR TO STRAIGHT SECTIONS

HORIZONTAL ZEE MITER CONDITIONS

12

LOCATE CORNER SUPPORTS AT OUTSIDE AND INSIDE CORNER LOCATIONS FIRST. NEXT, LOCATE CENTER OF CLIP/SPLICES AT END OF EACH MITER LEG. HOOK ONTO FRONT OF CORNER SUPPORT AND COPING CLIP, ROTATE BACKWARD ONTO CLIP AND PUSH DOWNWARD TO ENGAGE CAP ONTO CLIP, THEN PROCEED WITH ADJACENT LEG.

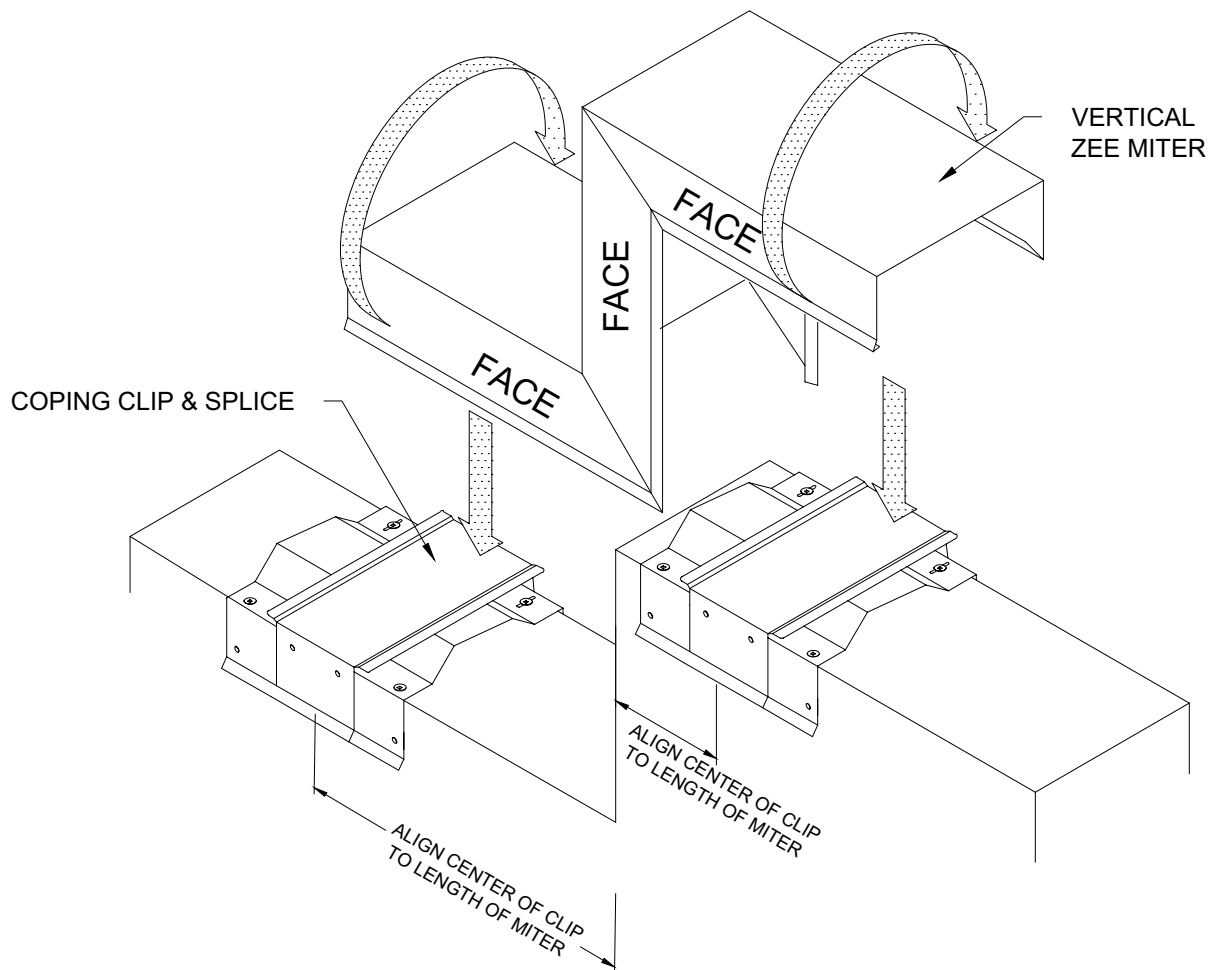


NOTE: ALL MITERS, END CONDITIONS, AND ACCESSORY CONDITIONS SHOULD BE INSTALLED PRIOR TO STRAIGHT SECTIONS

VERTICAL ZEE MITER CONDITIONS

13

LOCATE CENTER OF CLIP/SPLICES AT END OF EACH MITER LEG. HOOK ONTO FRONT OF COPING CLIP, ROTATE BACKWARD ONTO CLIP AND PUSH DOWNWARD TO ENGAGE CAP ONTO CLIP, THEN PROCEED WITH ADJACENT LEG.

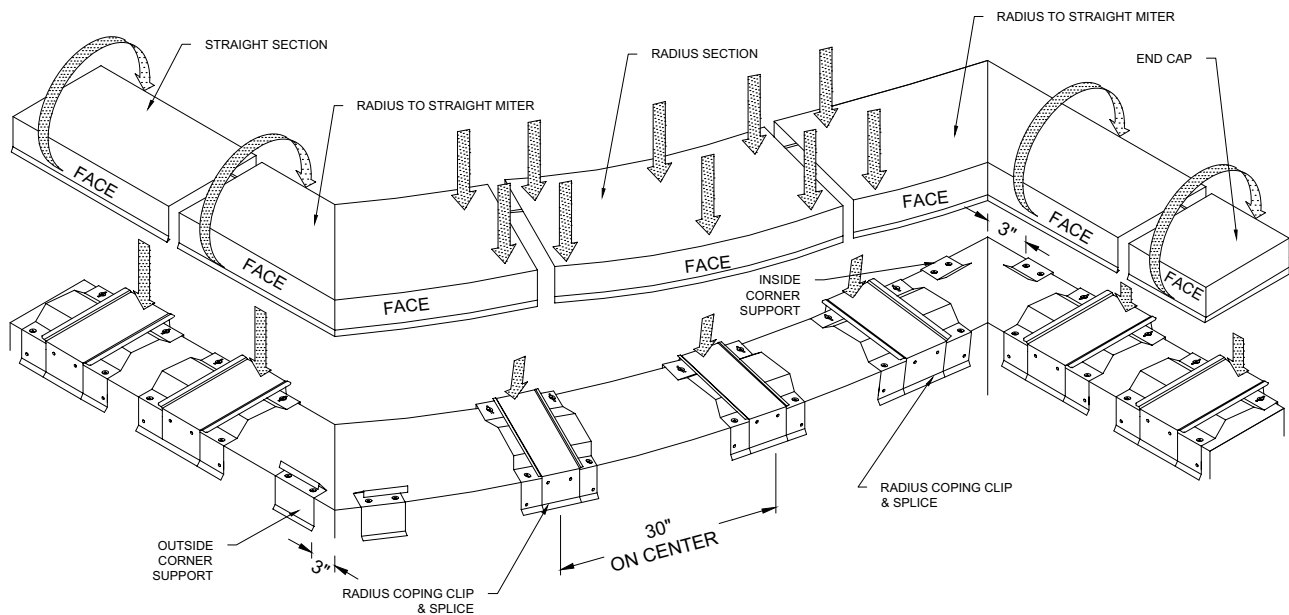


NOTE: ALL MITERS, END CONDITIONS, AND ACCESSORY CONDITIONS SHOULD BE INSTALLED PRIOR TO STRAIGHT SECTIONS

RADIUS CONDITIONS

14

LOCATE CORNER SUPPORTS AT OUTSIDE AND INSIDE CORNER LOCATIONS FIRST. NEXT LOCATE CLIPS AT END LOCATIONS AS SHOWN IN STEP 5 (PAGE 5). PROCEED WITH LOCATING CENTER OF CLIP/SPLICES AT END OF EACH MITER LEG. HOOK ONTO FRONT OF CORNER SUPPORT AND COPING CLIP, ROTATE BACKWARD ONTO CLIP AND PUSH DOWNWARD TO ENGAGE CAP ONTO CLIP THEN PROCEED WITH ADJACENT LEG. FINALLY LOCATE ADDITIONAL CLIPS SPACED AT 30" ON CENTER FOR RADIUS SECTION (CUT AS NEEDED) SECURE CAP ONTO CLIPS BY PUSHING HOOKING AND ROTATING CAPS TO SECURE ONTO CLIPS.

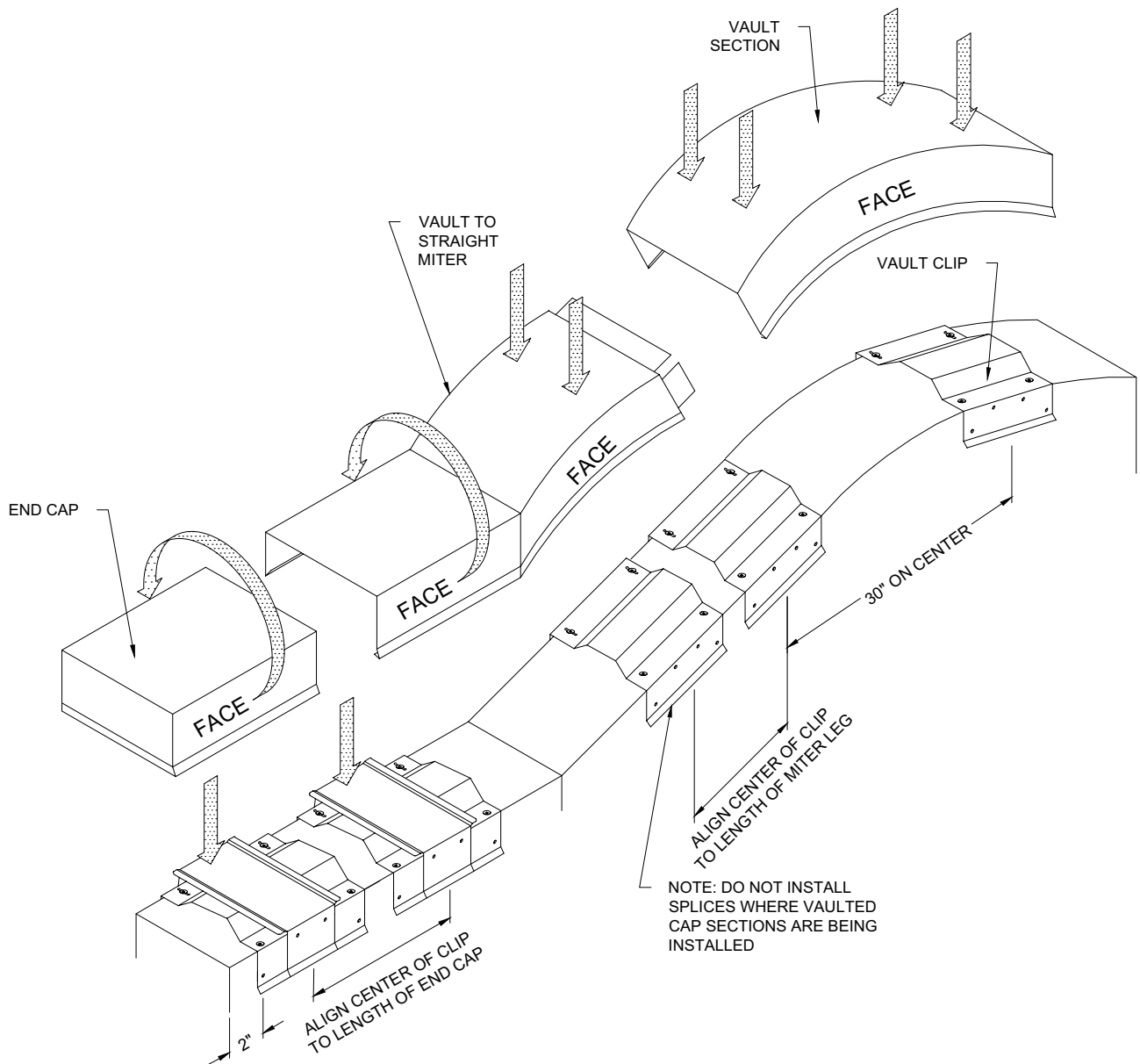


Radius Clip Spacing = 30" On Center - for all sizes

NOTE: ALL MITERS, END CONDITIONS, AND ACCESSORY CONDITIONS SHOULD BE INSTALLED PRIOR TO STRAIGHT SECTIONS

VAULT CONDITIONS

LOCATE CENTER OF CLIPS AT END OF MITER LEGS FIRST. PROCEED WITH INSTALLING CLIPS PER STEP 5 (PAGE 5), HOOK CAP ROTATE BACKWARD ONTO CLIP AND PUSH DOWNWARD TO ENGAGE CAP ONTO CLIP. FINALLY LOCATE VAULT CLIPS AT 30" ON CENTER (NO SPLICES REQUIRED). SECURE CAP ONTO CLIPS BY HOOKING AND ROTATING CAPS TO SECURE ONTO CLIPS. ADJUST VAULT CAP LENGTHS (DO NOT CUT FROM OFFSET TAB SIDE) TO FIT IN BETWEEN MITER AND END CONDITIONS ON SLOPED WALLS. USING SPACING CHART FOR CLIPS AS SHOWN BELOW.



Vault Clip Spacing = 30" On Center - for all sizes

NOTE: ALL MITERS, END CONDITIONS, AND ACCESSORY CONDITIONS SHOULD BE INSTALLED PRIOR TO STRAIGHT SECTIONS

1 CAMPUS DRIVE, PARSIPPANY, NJ 07054 USA
973-628-3000
WWW.GAF.COM

