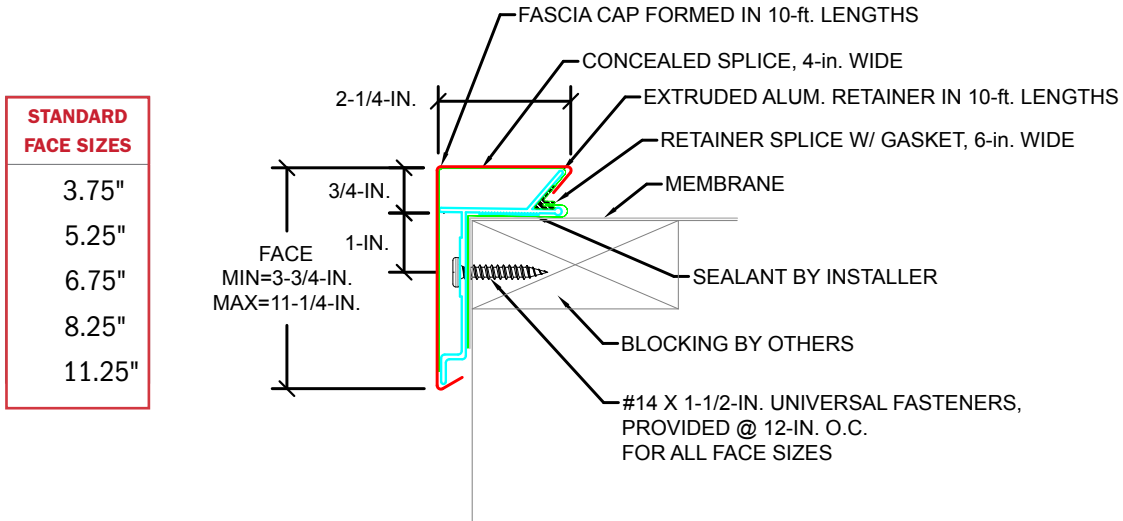


ORDER SPECIFICATION FORM

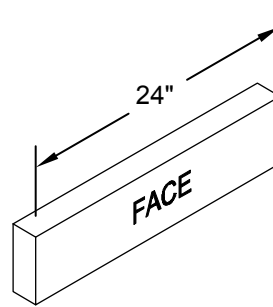
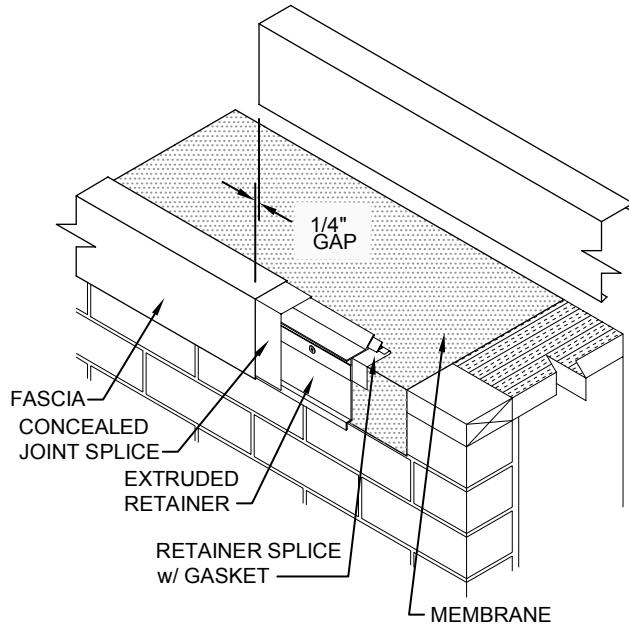
ANSI/SPRI/FM4435/ES-1 TEST PRESSURES UP TO 260 PSF (HORIZONTAL)



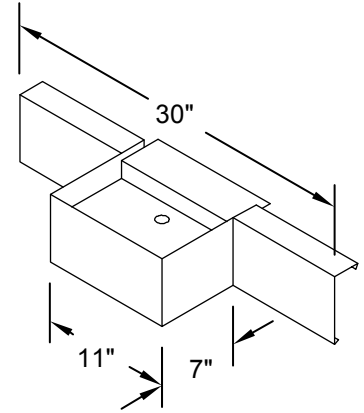
PRE-DRILL WITH 3/16-IN. DRILL BIT FOR MASONRY CONDITIONS.

CONTACT US FOR APPROPRIATE RECOMMENDATIONS NEEDED TO MEET/EXCEED ANSI/SPRI/FM4435/ES-1 DESIGN CRITERIA

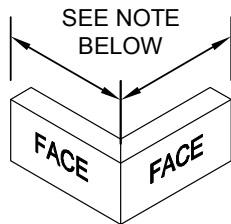
APPROVALS		COVER MATERIAL	THICKNESS	COVER FINISH
Florida Product Approval		Aluminum Galvanized Steel Stainless Steel	24Ga. 22Ga. .040 in. .050 in. .063 in.	Mill Prefinished Kynar Premium Prefinished Kynar Post Finished Kynar Prefinished Anodized Post Finished Anodized
QUANTITY		ACCESSORY TYPE		
_____	Straight Length	Welded		
_____	Total Miters (Inside: _____ / Outside: _____)	Folded		
_____	Total End Caps (Left: _____ / Right: _____)			
_____	Total End Terms (Left: _____ / Right: _____)			
_____	Radius Notched			
_____	Radius to Straight Miter Notched			
_____	Radius End Cap			
_____	Vault Welded			
_____	Vault to Straight Miter Welded			
_____	Vault End Cap			
_____	Z-Miter			
_____	Ridge Miter			
_____	Valley Miter			
_____	Sumps			
_____	Spillouts			
COLOR		CUSTOMER APPROVAL		
_____		<input type="checkbox"/> Approved for Fabrication <input type="checkbox"/> Approved with Changes <input type="checkbox"/> Not Approved		
		_____ Authorized Customer Signature		
		_____ Title Date		
		Job Name: _____		
		Project Location: _____		
		Customer: _____		
		Representative: _____		



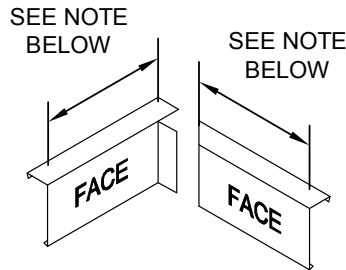
END CAP
LEFT HAND SHOWN



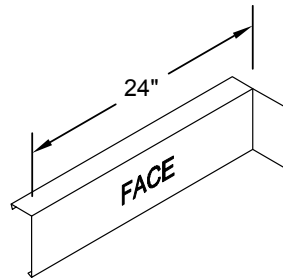
SUMP
2 PIECE ASSEMBLY



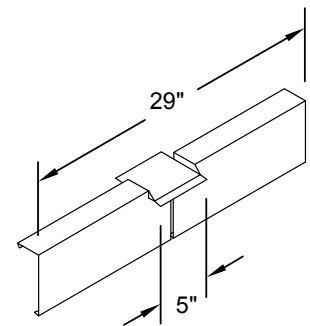
OUTSIDE MITER



INSIDE MITER
2 PIECE ASSEMBLY



END TERM
RIGHT HAND SHOWN



SPILLOUT
3 PIECE ASSEMBLY

Standard fascia miter leg lengths: 12" nominal

Standard fascia miter angle is 90°

For special miter requirements, attach sketches or consult manufacturer for assistance.