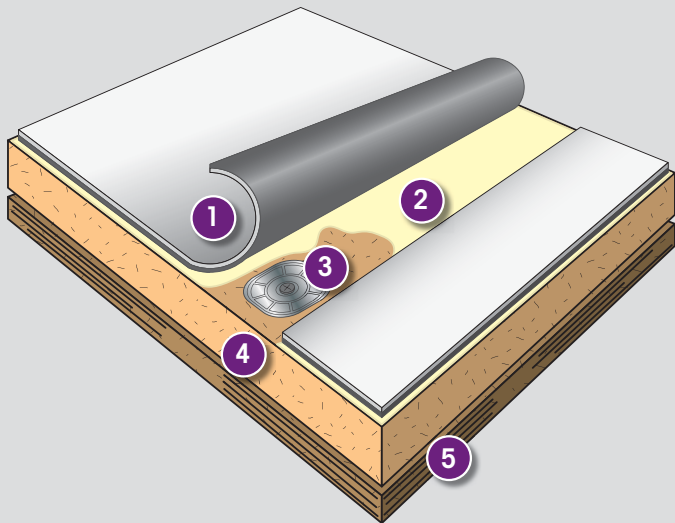




## Fully Adhered Roofing System



### Typical Application

- 1 VersiFlex 50-, 60-, 80-mil Reinforced Membrane
- 2 Bonding Adhesive
- 3 Fasteners and Plates
- 4 Approved Versico Insulation
- 5 Approved Roof Deck

<b>Colors</b>	White, Gray and Tan
<b>Standard Thicknesses</b>	45-, 60- and 80-mil
<b>Standard Widths</b>	40.5", 60", 81" or 120"
<b>Standard Lengths</b>	50-mil: 100', 60-mil: 80', 80-mil: 65'

### System Features and Benefits

- Meets ENERGY STAR<sup>®</sup>, CRRC, LEED<sup>®</sup> and Title 24 guidelines
- Heat-weldable membranes
- UL/FM codes and approvals
- Highly solar reflective "cool" membrane
- Enhanced physical property characteristics for long-term weatherability
- Excellent chemical resistance to acids, bases, restaurant oils, and greases

### Installation

Versico's VersiFlex Fully Adhered Roofing System utilizes reinforced 50-, 60- or 80-mil thick membranes. Insulation, where required, is secured to an acceptable roof deck. VersiFlex membrane sheets are fully adhered to the insulation or substrate with either Versico's VersiFlex (Low-VOC) Bonding Adhesive or Aqua Base 120. Adjoining sheets are hot-air welded. The above information represents a typical Versico VersiFlex Fully Adhered Roofing System. Refer to Versico's published specifications and details for more complete information.

### Membrane and System Strengths

- VersiFlex membranes come in 120", 81", 60" and 40½" wide sheets in 50-, 60-, and 80-mil thicknesses
- Available in white, gray, and tan
- Incorporates a strong polyester reinforcement giving the membrane excellent tear, breaking and puncture resistance
- Available with fiberglass reinforcement for additional dimensional stability
- Excellent chemical resistance to acids, bases, restaurant oils and greases
- Fiberglass reinforcement available for fully adhered applications only.
- Wide window of weldability affords easy membrane seaming
- Hot-air-welded seams enhance ease of installation
- High solar reflectivity





## System Codes

- UL Class A, B and Unlimited Slope ratings are available over standard roof deck types
- FM uplift values up to 90 psf can be achieved.

For code specifics, refer to Versico's Code Approval Guide.

## Quality Assurance

Versico Authorized Contractors have received training to install Versico's VersiFlex Roofing Systems.

## Inspection

Upon installation completion, and prior to the issuance of a system warranty, an inspection will be conducted by a Versico Field Service Representative.

## Warranty

Consult your Authorized Contractor or Versico Independent Sales Representative or Distributor for associated warranty charges.

Provided all materials are manufactured or marketed by Versico, this system properly installed and inspected on a commercial project may receive:

	VersiFlex PVC					VersiFlex-E KEE HP				
	5-Year	10-Year	15-Year	20-Year	25-Year	5-Year	10-Year	15-Year	20-Year	25-Year
50-Mil	X	X				X	X	X		
60-Mil	X	X	X			X	X	X	X	
80-Mil	X	X	X	X		X	X	X	X	X

For more specifics or for International warranty programs, contact Versico.

## Certified Fabricated Accessories

Certified Fabricated Accessories (CFAs) are the only factory-fabricated PVC accessories that meet the stringent quality tolerances required to be included in a warranted Versico PVC roofing system.

### Typical Properties and Characteristics

	Test Method	White PVC	Gray PVC	Tan PVC
ENERGY STAR® initial solar reflectance	Solar Spectrum Reflectometer	0.87	N/A	N/A
ENERGY STAR solar reflectance after 3 years	Solar Spectrum Reflectometer (uncleaned)	0.61	N/A	N/A
CRRC initial solar reflectance	ASTM C1549	0.87	0.59	0.73
CRRC solar reflectance after 3 years	ASTM C1549 (uncleaned)	0.61	N/A	N/A
CRRC initial thermal emittance	ASTM C1371	0.95	0.85	0.86
CRRC thermal emittance after 3 years	ASTM C1371 (uncleaned)	0.86	N/A	N/A
LEED® thermal emittance	ASTM E408	0.94	N/A	N/A
SRI (Solar Reflectance Index)	ASTM E1980	111	69	89



### New Construction

### Re-roofing

Existing or New Deck Type	New Construction						Re-roofing		
	Steel	Plywood or OSB	Lt. Wt. Concrete	Structural Concrete	Wood Planks	Gypsum & Fibrous Cement	Smooth-Surface BUR	Gravel-Surfaced BUR	Existing Single-Ply
Insulation Required	Yes	No	Yes	No	Yes	Yes	No	Yes	Yes
Recommended Insulation	VERSICO POLYISO, OSB, VERSICO RECOVERY BOARD, DENSDECK® PRIME OR APPROVED INSULATION OVER VERSICO POLYSTYRENE						← Refer to New Construction		
Insulation Attached By	URETHANE FOAM ADHESIVE, INSULTITE OR VERSICO HPV FASTENERS						Refer to Specifications		
Membrane Attached By	PVC BONDING ADHESIVE OR AQUA BASE 120						← Refer to New Construction		

FOR TEAR-OFF OPTIONS, REFER TO NEW CONSTRUCTION ABOVE.

For current Code Approvals and Warranties, visit Versico's web site, or contact a Versico Design Analyst.



A SINGLE SOURCE FOR SINGLE-PLY ROOFING

800.992.7663 • www.versico.com