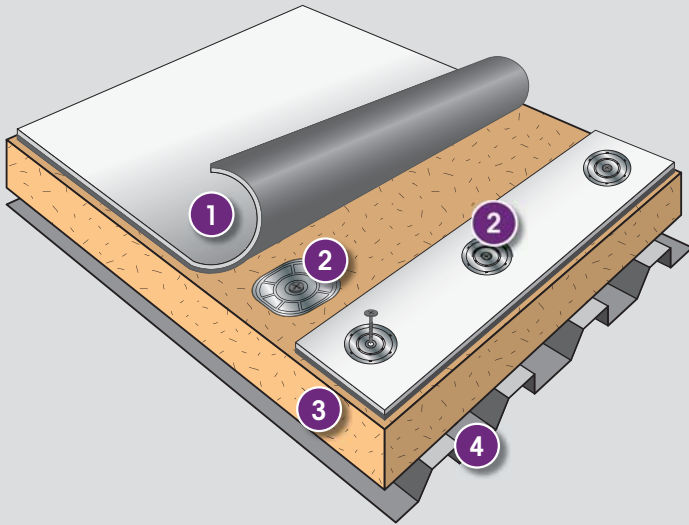


# VERSIFLEX PVC

## Mechanically Attached Roofing System



### Typical Application

- 1 VersiFlex Reinforced PVC Membrane
- 2 Versico Fasteners and Plates
- 3 Acceptable Insulation
- 4 Approved Roof Deck

<b>Colors</b>	White, Gray and Tan
<b>Standard Thicknesses</b>	50-, 60- and 80-mil
<b>Standard Widths</b>	Membrane: 120" or 81" Perimeter Sheets: 60" or 40.5"
<b>Standard Lengths</b>	50-mil: 100', 60-mil: 100', 80-mil: 75'

### System Features and Benefits

- ENERGY STAR®-qualified membranes
- Heat-weldable membranes
- Highly solar reflective "cool" membrane
- UL/FM codes and approvals
- Saves on air conditioning costs
- Enhanced physical property characteristics for long-term weatherability
- Excellent chemical resistance to acids, bases, restaurant oils, greases, and jet fuel fall-out

### Installation

Versico's VersiFlex Mechanically Attached Roofing System utilizes white, gray, and tan membranes in standard 50-mil, 60-mil or 80-mil thicknesses.

Insulation is mechanically attached to an acceptable roof deck. VersiFlex membrane sheets are mechanically fastened through the insulation to the deck with Versico HPVX or HPV-XL Fasteners and appropriate HPVX, HPV-XL or Oval Barbed Plates. Adjoining sheets are overlapped and joined together with a minimum 1½"-wide hot-air weld.

The above information represents a typical Versico VersiFlex Mechanically Attached Roofing System. Refer to Versico's published specifications and details for more complete information.

### Membrane and System Strengths

- VersiFlex membranes come in 81"- and 120"-wide sheets in 50-, 60- and 80-mil thicknesses
- Available in highly reflective white, as well as gray and tan
- Incorporates a strong polyester reinforcement giving the membrane excellent tear, breaking, and puncture resistance
- Excellent chemical resistance to acids, bases, restaurant oils, greases, and jet fuel fall-out
- VersiFlex-E KEE HP membranes enhanced with Elvaloy are available
- Wide window of weldability affords easy membrane seaming
- Hot-air-welded seams enhance ease of installation
- High solar reflectivity "cool" roof saves on air conditioning costs



## Certified Fabricated Accessories

Certified Fabricated Accessories (CFAs) are the only factory-fabricated PVC accessories that meet the stringent quality tolerances required to be included in a warranted Versico PVC roofing system.

## System Codes

UL Class A, B and Unlimited Slope ratings are available over standard roof deck types. FM uplift values of up to 165 psf can be achieved. For code specifics, refer to Versico's Code Approval Guide.

## Quality Assurance

Versico Authorized Contractors have been trained to install Versico's VersiFlex Roofing Systems.

## Inspection

Upon installation completion, and prior to the issuance of a system warranty, an inspection will be conducted by a Versico Field Service Representative.



## Warranty

Consult your Authorized Contractor or Versico Independent Sales Representative or Distributor for associated warranty charges.

Provided all materials are manufactured or marketed by Versico, this system properly installed and inspected on a commercial project may receive:

- A 30-year warranty is available using 80-mil VersiFlex-E KEE HP membrane when all materials used for the roofer's installation are manufactured or marketed by Versico.

	VersiFlex PVC					VersiFlex-E KEE HP					
	5-Year	10-Year	15-Year	20-Year	25-Year	5-Year	10-Year	15-Year	20-Year	25-Year	30-Year
50-Mil	X	X	X			X	X	X	X		
60-Mil	X	X	X	X		X	X	X	X	X	
80-Mil	X	X	X	X	X	X	X	X	X	X	X

For more specifics or for International warranty programs, contact Versico.

## Typical Properties and Characteristics

Test Method	White PVC	Tan PVC	Gray PVC
ENERGY STAR® initial solar reflectance	Solar Spectrum Reflectometer 0.87	N/A	N/A
ENERGY STAR solar reflectance after 3 years	Solar Spectrum Reflectometer (uncleaned) 0.61	N/A	N/A
CRRC initial solar reflectance	ASTM C1549 0.87	0.45	0.39
CRRC solar reflectance after 3 years	ASTM C1549 (uncleaned) 0.61	Pending	Pending
CRRC initial thermal emittance	ASTM C1371 0.95	0.86	0.87
CRRC thermal emittance after 3 years	ASTM C1371 (uncleaned) 0.86	Pending	Pending
LEED® thermal emittance	ASTM E408 0.94	0.94	0.94
SRI (Solar Reflectance Index)	ASTM E1980 110	49	42

### New Construction

### Re-roofing

Existing or New Deck Type	Steel	Plywood or OSB	Lt. Wt. Concrete	Structural Concrete	Wood Planks	Gypsum & Fibrous Cement	Smooth-Surface BUR	Gravel-Surfaced BUR	Existing Single-Ply
Deck Overlayment Required	Yes	No	Yes	Yes	Yes	Yes	Yes	Yes	Yes
Insulations	Versico Polyiso, Versico Recovery Board, Densdeck® or Approved Insulation over Versico Polystyrene						← Refer to New Construction		
Insulation Attached By	Versico fasteners and plates						← Refer to New Construction		
Membrane Attached By	HPVX Fasteners/HPVX Plates; HPV-XL/HPV-XL Plate/Oval Barbed Plates	HPVX Fasteners/HPVX Plates; HPV-XL Fast/HPV-XL Plate	Lt. Wt. Deck Fasteners/Plates	HPVX Plates; MP 14-10 Fasteners/Plates; HPVX	HPVX Fasteners/HPVX Plates	Lt. Wt. Deck Fasteners/Plates	← Refer to New Construction		

For current Code Approvals and Warranties, visit Versico's web site, or contact a Versico Design Analyst.



A SINGLE SOURCE FOR SINGLE-PLY ROOFING

800.992.7663 • www.versico.com