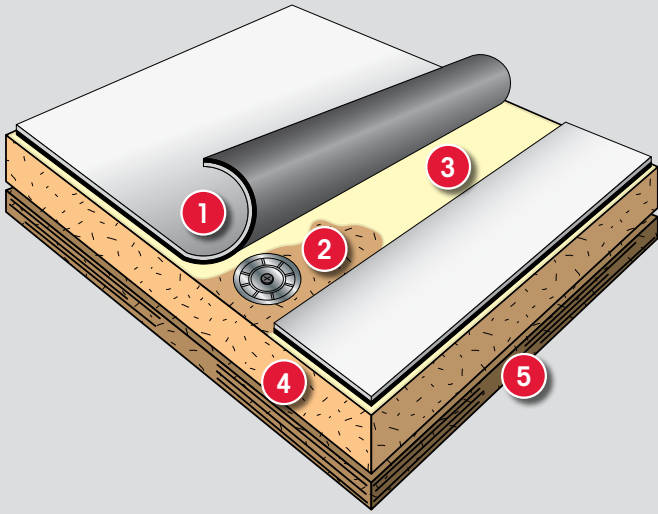




## Fully Adhered Roofing System



### Typical Application

- 1 VersiWeld® Reinforced Membrane
- 2 Versico Insulation Fasteners and Plates
- 3 TPO Bonding Adhesive
- 4 Acceptable Insulation
- 5 Approved Roof Deck

Colors	White, Gray and Tan
Standard Thicknesses	45-, 60- and 80-mil
Standard Widths	6', 8', 10' and 12'
Standard Lengths	100'

### System Features and Benefits

- Heat-weldable membranes
- High wind uplift performance
- High hail and puncture resistance
- Top-ply membrane thickness adds improved long-term weatherability and durability
- White and tan membranes are ENERGY STAR®-qualified

### Installation

Versico's VersiWeld Fully Adhered Roofing System utilizes white, gray, or tan membranes in standard reinforced 45- or 60-mil thickness or 80-mil-thick reinforced VersiWeld Plus.

Insulation, where required, is secured to an acceptable roof deck. VersiWeld membrane sheets are fully adhered to the insulation or substrate with Versico's TPO Bonding Adhesive. Adjoining sheets are hot-air welded.

The above information represents a typical Versico VersiWeld Fully Adhered Roofing System. Refer to Versico's published specifications and details for more complete information.

### Certified Fabricated Accessories

Certified Fabricated Accessories (CFAs) are the only factory-fabricated TPO accessories that meet the stringent quality tolerances required to be included in a warranted Versico TPO roofing system.

### System Codes

- UL Class A, B and Universal Slope ratings are available over any deck type.
- FM Uplift values up to 150 psf can be achieved.

For code specifics, refer to Versico's Code Approval Guide.

### Quality Assurance

Versico Authorized Contractors have received training to install Versico's VersiWeld Roofing Systems.





## Inspection

Upon installation completion, and prior to the issuance of a membrane system warranty, an inspection will be conducted by a Versico Field Service Representative.

## Warranty

Consult your Authorized Contractor, Versico Independent Sales Representative or Distributor for associated warranty charges.

Provided all materials are manufactured or marketed by Versico, this system properly installed and inspected on a commercial project may receive:

## Warranty Options

### VersiWeld TPO Membranes

	5-Year	10-Year	15-Year	20-Year	25-Year	30-Year
45-mil	X	X	X			
60-mil	X	X	X	X		
80-mil	X	X	X	X	X	X

- Puncture warranties are available for 60-mil and 80-mil VersiWeld Membrane.
- 10-year Reflectivity Warranty (based on ENERGY STAR qualification) available on all white membranes.

For more specifics on warranty programs, contact Versico.

\*ENERGY STAR recommends that using the Roof Savings Calculator ([rsc.ornl.gov](http://rsc.ornl.gov)), which factors in both heating and cooling costs, to determine whether a cool roof will be an energy efficient choice for your geographic climate and building type.



**OCTAGUARD XT**  
WEATHERING PACKAGE



Existing or New Deck Type	New Construction						Re-roofing		
	Steel	Plywood or OSB	Li. Wt. Concrete	Structural Concrete	Wood Planks	Gypsum & Fibrous Cement	Smooth-Surfaced BUR	Gravel-Surfaced BUR	Existing Single-Ply
Insulation Required	Yes	No	*Refer to Specs	No	Yes	Yes	No	Yes	Yes
Recommended Insulations	Versico Polyiso, Versico Recovery Board or Versico Polystyrene with an Approved Coverboard						← Refer to New Construction		
Insulation Attachment	DASH™ Adhesive (non-penetrating), Insultite or Versico HPV Fasteners						← Refer to New Construction		
Membrane Attachment	TPO Bonding Adhesive						← Refer to New Construction		

FOR TEAR OFF OPTIONS REFER TO NEW CONSTRUCTION ABOVE. For current code approvals and warranties, visit Versico's web site or contact a design analyst.  
\* Refer to Versico's Current Specification for details.



A SINGLE SOURCE FOR SINGLE-PLY ROOFING

800.992.7663 • [www.versico.com](http://www.versico.com)