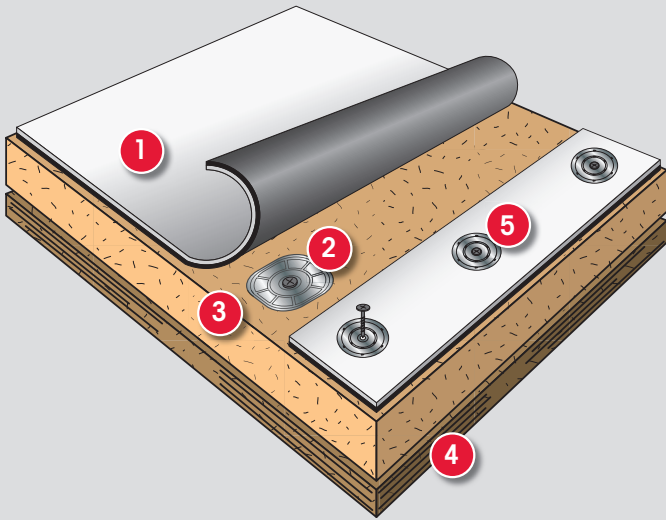




Mechanically Attached Roofing System



Typical Application

- 1 VersiWeld® Reinforced TPO Membrane
- 2 Versico Insulation Fasteners and Plates
- 3 Acceptable Insulation
- 4 Approved Roof Deck
- 5 Membrane Fasteners and Plates

Colors	White, Gray and Tan
Standard Thicknesses	45-, 60- and 80-mil
Standard Widths	4', 6', 8', 10' and 12'
Standard Lengths	100'

System Features and Benefits

- Heat-weldable membranes
- High wind uplift performance
- Resistance to hail and accidental punctures
- Top ply membrane thickness adds improved long-term weatherability and durability
- VersiWeld TPO membrane meets ENERGY STAR®* qualifications and CRRC guidelines
- OctaGuard XT™ weathering package provides superior long-term performance
- Certified Fabricated Accessories

Installation

Versico's VersiWeld TPO Mechanically Attached Roofing System utilizes white, gray, or tan membranes in standard reinforced 45- or 60-mil thickness or 80-mil thick reinforced VersiWeld Plus membranes.

Insulation is mechanically attached to an acceptable roof deck. VersiWeld membrane sheets are mechanically attached to the deck with appropriate Versico fasteners and plates. Adjoining sheets are overlapped and joined together with a minimum 1½"-wide hot-air weld.

The above information represents a typical Versico VersiWeld TPO Mechanically Attached Roofing System. Refer to Versico's published specifications and details for more complete information.

VersiWeld TPO Membrane

Versico's VersiWeld TPO is a premium, heat-weldable, single-ply thermoplastic polyolefin membrane, engineered to provide outstanding long-term performance in new roof construction and re-roofing applications. All VersiWeld TPO membranes utilize the patented OctaGuard XT weathering package technology, which is able to withstand extreme durability testing intended to simulate exposure to several climates.





VersiWeld TPO Accessories

Versico also offers over a dozen prefabricated, in-stock, standard-order accessories, and countless custom-order accessories. All carry a CFA (Certified Fabricated Accessory) stamp of approval, so you know they are manufactured to the highest standards. Every Versico CFA-approved accessory saves time and money during installation.

Membrane and System Strengths

- VersiWeld TPO membrane is available in white, gray, and tan colors and 4', 6', 8', 10', and 12' widths
- VersiWeld TPO provides excellent puncture resistance
- VersiWeld TPO white and tan membranes are ENERGY STAR qualified
- VersiWeld TPO's reflectivity values exceed those of other heat-weldable membranes
- VersiWeld TPO's top ply surface is thicker and smoother than other membranes on the market, improving welding results and reducing dirt pickup
- Industry-leading OctaGuard XT Weathering Package provides improved weatherability, durability and long-term rooftop performance

System Codes

- UL Class A, B and Universal Slope ratings are available over any deck type
- FM Uplift values up to 135 psf can be achieved

For code specifics, refer to Versico's Code Approval Guide.

Quality Assurance

Versico Authorized Contractors are highly trained in the installation of Versico's VersiWeld Roofing Systems.

Inspection

Upon installation completion, and prior to the issuance of a membrane system warranty, an inspection will be conducted by a Versico Field Service Representative.

Warranty

Consult your Authorized Contractor, Versico Independent Sales Representative or Distributor for associated warranty charges.

This system, properly installed and inspected on a commercial project, may receive:

- A 10-, 15-, or 20-year Total System Warranty when all materials used for the roofing installation are manufactured or marketed by Versico
- A 25- or 30-year Total System Warranty with 80-mil VersiWeld Plus membranes
- 55 mph maximum peak gust wind speed coverage is standard; higher wind speed warranties available upon review by Versico
- A 10-year Reflectivity Warranty (based on ENERGY STAR qualification) with white membranes
- Available Puncture Warranty with VersiWeld 60-mil and 80-mil TPO

For more specifics or on warranty programs, contact Versico.



Existing or New Deck Type	New Construction						Re-roofing		
	Steel	Plywood or OSB	Lt. Wt. Concrete	Structural Concrete	Wood Planks	Gypsum & Fibrous Cement	Smooth-Surface BUR	Gravel-Surfaced BUR	Existing Single-Ply
Deck Overlayment Required	Insulation	No	No	HP Mat	Insulation	Insulation	No	Insulation	**Refer to Specs
Insulations	Approved Versico insulation or cover board						← Refer to New Construction		
Insulation Attached By	Versico fasteners and plates						← Refer to New Construction		
Membrane Attached By	HPVX Fasteners; HPV-XL Fasteners	HPVX Fasteners; HPV-XL Fasteners	Gyptec Fasteners/Plates	CD-10; MP 14-10 Fasteners	HPVX Fasteners	Gyptec Fasteners/Plates	← Refer to New Construction		

FOR TEAR-OFF OPTIONS REFER TO NEW CONSTRUCTION ABOVE.

For current code approvals and warranties, visit Versico's website or contact a design analyst.

** Refer to Versico's VersiWeld Design Criteria Portion of the Current Specification.



A SINGLE SOURCE FOR SINGLE-PLY ROOFING

800.992.7663 • www.versico.com