



TPO Roofing Systems



**BUILDING SOLUTIONS**



# VERSIWELD

## TPO ROOFING SYSTEMS

## WHY CHOOSE VERSIWELD TPO?

Versico's VersiWeld TPO membrane is comprised of three layers - a TPO polymer base; a strong, polyester-reinforced fabric center (scrim) and a tough thermoplastic polyolefin compounded top-ply. Because the top-ply is the most vital membrane component for long-term weathering characteristics, Versico manufactures its membranes with an industry leading "thicker" and "smoother" top-ply over scrim. The smooth surface resists dirt pick-up and biological growth compared to other thermoplastic membranes.

### Membrane Benefits

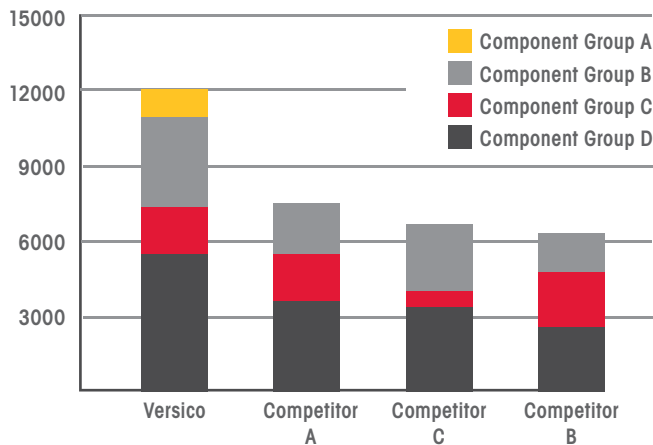
Versico's VersiWeld TPO membranes are enhanced with Versico's OctaGuard XT™ Weathering Package resulting in the most dependable, long-term performance characteristics in the industry.



VersiWeld TPO membranes carry the ENERGY STAR®\* qualification having exceeded the stringent program guidelines based upon solar reflectance and heat emittance. Additionally, VersiWeld TPO is listed as a CRRC (Cool Roof Rating Council) certified product meeting the Title 24 mandates for the state of California.

Versico's ENERGY STAR-qualified VersiWeld TPO membranes with their high reflectivity ratings help reduce the amount of energy required to maintain cool building environments. Less energy consumed results in less pollutants generated back into the atmosphere (lessening the Urban Heat Island Effect) and directly contributes to a cleaner, cooler environment.

### Chemical Analysis



### Environment

VersiWeld TPO membranes are ideally suited when environmental issues are of concern because the membrane is produced without the use of any chlorinated ingredients or plasticizers. VersiWeld TPO membranes are also 100% recyclable.

### Membrane Flexibility

TPO polymer is flexible in its original state prior to being converted to a membrane. This natural flexibility is maintained as the TPO membrane is exposed to extreme heat and UV. Also, this sheeting easily accommodates the building's normal expansion and contraction.

### Chemical Resistance

VersiWeld TPO membrane is highly chemical and contaminant resistant. Most liquids and chemicals normally exhausted onto the roof have no effect on the membrane.

### Fire Resistance

VersiWeld TPO roofing systems meets UL 790 requirements for external fire Class A ratings and UL P assemblies for internal, hourly fire ratings. Consult the UL Building Material Directory for specific assemblies.

### Wind Resistance

VersiWeld TPO roofing has surpassed many of Factory Mutual's wind resistance classification, which consist of the most stringent standards in the industry. Refer to Versico's Code Approval Guide for details.

### Installation

Heat-welded systems are easy to install since minimal labor and few components are required. VersiWeld TPO membrane welds at fast speeds — 10- to 15-foot per minute at moderate temperature settings. VersiWeld TPO promotes one of the widest windows of weldability in the industry.

## Typical Properties and Characteristics

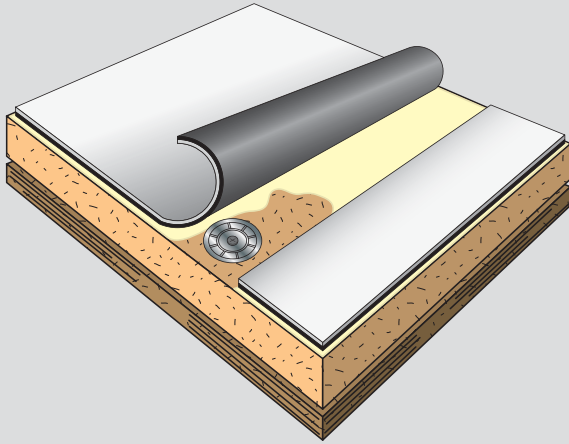
| Physical Property  | ASTM D6878 Requirement   | 45-mil   | 60-mil   | 80-mil   |
|--|--|--|--|--|
| Tolerance on nominal thickness, %<br>ASTM D751 test method   | +15, -10<br>0.015  | ± 10   | ± 10   | ± 10   |
| Thickness over scrim, in. (mm)<br>ASTM D6878 optical method,<br>average of 3 areas   | 0.015 min<br>(0.380)   | 0.018 typ<br>(0.457)                             | 0.024 typ<br>(0.610)                               | 0.034 typ<br>(0.864)                               |
| Breaking strength, lbf (kN)<br>ASTM D751 grab method   | 220 (976 N)<br>min   | 225 (1.0) min<br>320 (1.4) typ                   | 250 (1.1) min<br>360 (1.6) typ                     | 350 (1.6) min<br>425 (1.9) typ                     |
| Elongation break of reinforcement, %<br>ASTM D751 grab method  | 15 min   | 15 min<br>25 typ                                 | 15 min<br>25 typ                                   | 15 min<br>25 typ                                   |
| Tearing strength, lbf (N)<br>ASTM D751 proc. B 8 in. x 8 in.   | 55 (245) min   | 55 (245) min<br>130 (578) typ                    | 55 (245) min<br>130 (578) typ                      | 55 (245) min<br>130 (578) typ                      |
| Brittleness point, °F (°C)<br>ASTM D2137   | -40 (-40) max  | -40 (-40) max<br>-50 (-46) typ                   | -40 (-40) max<br>-50 (-46) typ                     | -40 (-40) max<br>-50 (-46) typ                     |
| Linear dimensional change, %<br>ASTM D1204, 6 hours at 158°F   | ± 1 max  | ± 1 max<br>-0.2 typ                              | ± 1 max<br>-0.2 typ                                | ± 1 max<br>-0.2 typ                                |
| Ozone Resistance, no cracks 7X<br>ASTM D1149, 100 pphm, 168 hrs  | PASS   | PASS   | PASS   | PASS   |
| Water absorption resistance, mass %<br>ASTM D471 top surface only<br>166 hours at 158°F water  | ± 3.0 max  | ± 3.0 max<br>0.9 typ                             | ± 3.0 max<br>0.9 typ                               | ± 3.0 max<br>0.9 typ                               |
| Factory seam strength, lbf/in (kN/m)<br>ASTM D751 grab method  | 66 (290) min   | 66 (290) min                                     | 66 (290) min                                       | 66 (290) min                                       |
| Field seam strength, lbf/in (kN/m)<br>ASTM D1876 tested in peel  | No requirement   | 25 (4.4) min<br>50 (8.8) typ                     | 25 (4.4) min<br>60 (10.5) typ                      | 40 (7.0) min<br>70 (12.3) typ                      |
| Water vapor permeance, perms<br>ASTM E96 proc. B   | No requirement   | 0.10 max<br>0.05 typ                             | 0.10 max<br>0.05 typ                               | 0.10 max<br>0.05 typ                               |
| Puncture resistance, lbf (kN)<br>FTM 101C, method 2031<br>(see supplemental section)   | No requirement   | 250 (1.1) min<br>325 (1.4) typ                   | 300 (1.3) min<br>350 (1.6) typ                     | 400 (1.8) min<br>450 (2.0) typ                     |
| Properties after heat aging<br>ASTM D573, 5376 hours @ 240°F<br>Breaking strength, % retained<br>Elongation reinf., % retained<br>Tearing Strength, % retained<br>Weight change, % | 198 (881) 91% min<br>13.5 (90%) min<br>33 (60%) min<br>± 1.0 max | 205 (912) min<br>13.5 min<br>33 min<br>± 1.0 max | 225 (1,000) min<br>13.5 min<br>33 min<br>± 1.0 max | 315 (1,400) min<br>13.5 min<br>33 min<br>± 1.0 max |
| Typical Weights  |  | 0.23 lb/ft <sup>2</sup> (1.1 kg/m <sup>2</sup> ) | 0.29 (1.4)   | 0.40 (2.0)   |

Typical properties and characteristics are based on samples tested and are not guaranteed for all samples of this product. This data and information is intended as a guide and does not reflect the specification range for any particular property of this product.

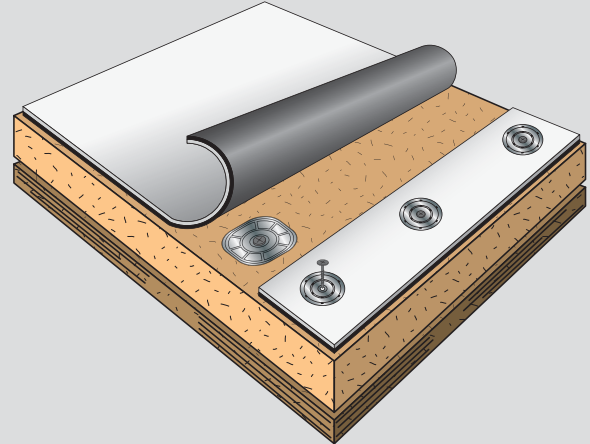


## Radiative Properties for ENERGY STAR Cool Roof Rating Council (CRRC) & LEED®

| Physical Property                            | Test Method                                      | White TPO | Tan TPO | Gray TPO |
|--|--|-----------|---------|----------|
| <b>ENERGY STAR</b> initial solar reflectance | Solar Spectrum Reflectometer                     | 0.79      | 0.71    | n/a      |
| Energy Star solar reflectance after 3 years  | Solar Spectrum Reflectometer<br>(after cleaning) | 0.70      | 0.64    | n/a      |
| <b>CCRC</b> initial solar reflectance        | ASTM C 1549                                      | 0.79      | 0.71    | 0.46     |
| CCRC solar reflectance after 3 years         | ASTM C 1549 (uncleaned)                          | 0.70      | 0.64    | 0.43     |
| CCRC initial thermal emittance               | ASTM C 1371                                      | 0.90      | 0.86    | 0.90     |
| CCRC thermal emittance after 3 years         | ASTM C 1371 (uncleaned)                          | 0.86      | 0.87    | 0.88     |
| <b>LEED</b> thermal emittance                | ASTM E 408                                       | 0.90      | 0.86    | 0.86     |
| <b>SRI</b> (Solar Reflectance Index)         | ASTM E 1980                                      | 99        | 86      | 53       |



**VersiWeld Fully Adhered Roofing System** begins with insulation mechanically attached to the roof deck. The TPO membrane and substrate are then coated with VersiWeld bonding adhesive. The TPO membrane is rolled into place and seams are then hot-air welded.



**VersiWeld Mechanically Attached Roofing System** starts with insulation fastened to the substrate. VersiWeld TPO membrane is then fastened through the insulation with fasteners and plates. (Consult the Versico Fastener Sell Sheet) Adjoining membrane sheets are overlapped and joined together by hot-air welding.

### Accessories

The most critical and time consuming portion of VersiWeld roofing installation is made easier and faster with VersiWeld Certified Fabricated Accessories. VersiWeld accessories provide exceptional durability and weatherability with the added benefit of being heat weldable. VersiWeld TPO accessories greatly reduce job time, in turn, reducing labor time and costs.



All VersiWeld TPO accessories carry the Certified Fabricated Accessory (CFA) seal of approval meaning they adhere to the most stringent quality tolerances required to be included in a Versico warranted roof system.

\* Please see VersiWeld accessories literature for a more complete listing of accessories.



- 1. TPO Non-Reinforced Flashing
- 2. PS Coverstrip
- 3. TPO Split Pipe Seals
- 4. TPO PS RUSS
- 5. TPO T-Joint Covers
- 6. TPO Molded Sealant Pockets

### Versico Total System Warranties

5-year to 30-year No Dollar Limit Total System Warranty coverage is available. Reflectivity, hail and puncture warranties are also available upon request.



**A SINGLE SOURCE FOR SINGLE-PLY ROOFING**  
800.992.7663 • [www.versico.com](http://www.versico.com)