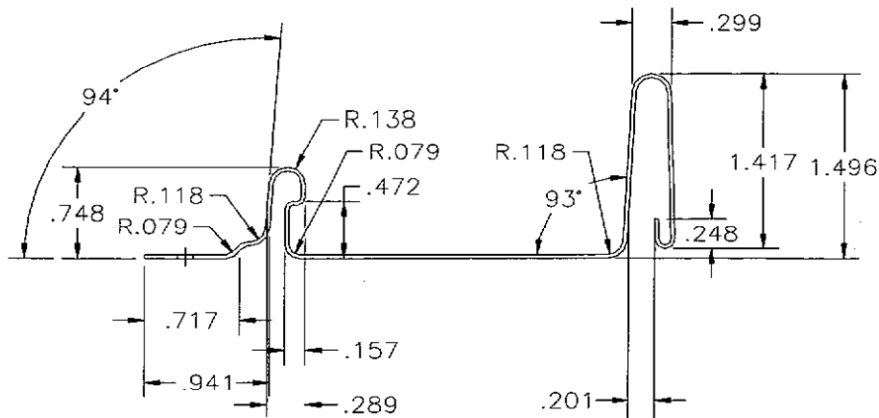




NORTHWEST
Roof Tile and Metal

FF150

(1.5" Nailstrip Snap Lock)



Type	Test	Width	Gauge	Fastener Spacing	Decking
Flexural Strength	ASTM 330	12	24 CRS	12	Purlins 16ga
Wind uplift	Dade 80 mph	15	24 CRS	12	1/2 Plywood
Wind uplift	Dade 140 mph	15	24 CRS	12	5/8 Plywood
Hail	UL Class 4	15	24 CRS	18	5/8 Plywood
Impact	Dade Impact	15	24 CRS	18	5/8 Plywood
Hail	UL Class 4	15	26 CRS	18	1/2 Plywood
Water	Dade Wind Driven Rain	16	24 CRS	18	5/8 Plywood
Wind Uplift Class 90	UI Construction Number 601	3/16	22 CRS	20 3/4	5/8 Plywood
Wind Uplift	ASTM 1592	12	24 CRS	12	Purlins 16ga

* 1.5" Nailstrip Snap Lock Architectural or Structural Standing Seam Pane * Gauges: 22, 24, 26

* 1.5" Rib Height

* Fastest panel in the market for installation

* Screw Fastening through slotted hole for limited thermal movement

* TDI Approved