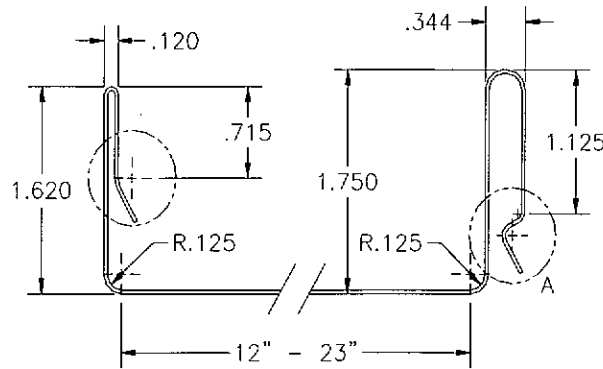


1 3/4 Inch Snap Seam



1 3/4 Inch Snap Lock Panel

Architectural or structural standing seam panel.

1 3/4 inch rib height.

Gauges 22, 24, 26

Panel Coverage from 8 to 24.5 inches.

Specially designed clip for thermal movement.

Applies over open purlin or solid substrate.

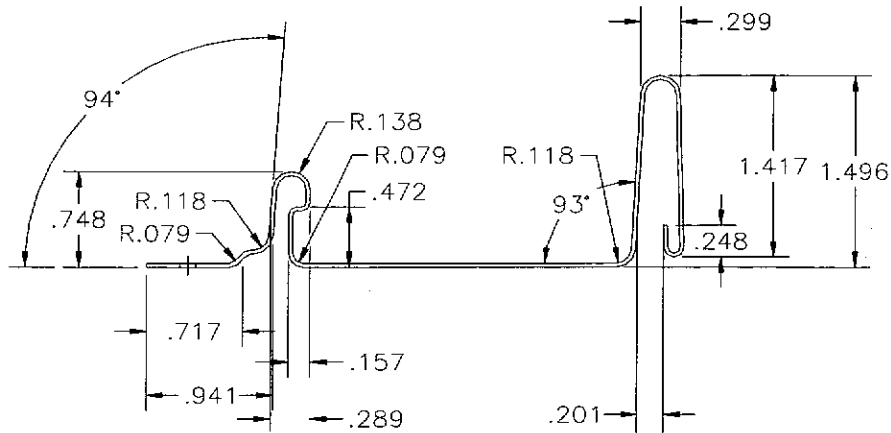
Type	Test Type	Width	Ga.	Fastener Spacing	Decking
Hail	UL Class 4	16	24 CRS	36	5/8 Plywood
Wind Uplift Class 90	UL Construction Number 342	18	24 CRS	48	5/8 Plywood
Wind Uplift Class 90	UL Construction Number 446	18	24 CRS	48	Purlins 16ga
Wind Uplift Class 90	UL Construction Number 565	18	24 CRS	60	32 Inch Fibroplank
Wind Uplift Class 60	UL Construction Number 543	18	24 CRS	60	Purlins 16ga
Wind Uplift Class 90	UL Construction Number 343	18	24 CRS	36	1/9/32 Plywood
Wind Uplift Class 90	UL Construction Number 414	18	24 CRS	36	1/9/32 Plywood
Wind Uplift Class 90	UL Construction Number 343	18	24 CRS	36	5/8 Gypsum
Wind Uplift Class 90	UL Construction Number 448	18	24 CRS	36	5/8 Gypsum
Wind Uplift Class 90	UL Construction Number 436	18	24 CRS	36	5/8 OSB
Wind Uplift Class 90	UL Construction Number 436	18	24 CRS	36	5/8 Plywood
Wind Uplift Class 90	UL Construction Number 448	18	24 CRS	36	7/16 OSB
Wind Uplift Class 90	UL Construction Number 486	18	24 CRS	36	Densdeck 1/2"
Wind Uplift Class 90	UL Construction Number 508A	18	24 CRS	36	Densdeck 1/2"
Wind Uplift Class 90	UL Construction Number 448	18	24 CRS	36	Metal Deck 22ga
Wind Uplift Class 90	UL Construction Number 486	18	24 CRS	36	Metal Deck 22ga
Wind Uplift Class 90	UL Construction Number 508A	18	24 CRS	36	Metal Deck 22ga
Wind Uplift Class 90	UL Construction Number 486	18	24 CRS	36	Purlins 16ga
Wind Uplift Class 90	UL Construction Number 508A	18	24 CRS	36	Purlins 16ga
Wind Uplift Class 90	UL Construction Number 446	18	24 CRS	48	Purlins 16ga
Wind Uplift Class 90	UL Construction Number 565	18	24 CRS	60	32 inch Fibroplank
Wind Uplift Class 90	UL Construction Number 543	18	24 CRS	60	Purlins 16ga
Wind Uplift Class 90	UL Construction Number 303	18	.032 Al	36	5/8 Gypsum
Wind Uplift Class 90	UL Construction Number 303	18	.032 Al	36	7/16 OSB
Wind Uplift Class 90	UL Construction Number 303	18	.032 Al	36	7/16 OSB
Wind Uplift Class 60	UL Construction Number 252	18	24 CRS	60	Purlins 16ga
Wind Uplift	ASTM 1592	16	.032 Al	36	5/8 Plywood

To Order Call: 281-893-8382

1 3/4 Inch Snap Seam

Type	Test Type	Width	Ga.	Fastener Spacing	Decking
Wind Uplift	ASTM 1592	16	24 CRS	36	5/8 Plywood
Wind Uplift Class 90	UL Construction Number 447	10	22 CRS	60	Purlins 16ga
Wind Uplift Class 90	UL Construction Number 343	10	24 CRS	36	19/32 Plywood
Wind Uplift Class 90	UL Construction Number 343	10	24 CRS	36	5/8 Gypsum
Wind Uplift Class 90	UL Construction Number 508A	10	24 CRS	36	Densdeck 1/2"
Wind Uplift Class 90	UL Construction Number 508A	10	24 CRS	36	Metal Deck 22ga
Wind Uplift Class 90	UL Construction Number 508A	10	24 CRS	36	Purlins 16ga
Wind Uplift Class 90	UL Construction Number 342	10	24 CRS	48	1/2 Gypsum
Wind Uplift Class 90	UL Construction Number 447	10	24 CRS	48	Purlins 16ga
Wind Uplift Class 90	UL Construction Number 508A	10	.032 Al	36	Densdeck 1/2"
Wind Uplift Class 90	UL Construction Number 508A	10	.032 Al	36	Metal Deck 22ga
Wind Uplift Class 90	UL Construction Number 447	10	.032 Al	36	Purlins 16ga
Wind Uplift Class 90	UL Construction Number 508A	10	.032 Al	36	Purlins 16ga
Wind Uplift Class 90	UL Construction Number 303	10	.032 Al	36	5/8 Gypsum
Wind Uplift Class 90	UL Construction Number 253	10	24 CRS	48	Purlins 16ga
Wind Uplift Class 90	UL Construction Number 261	10.5	.032 Al	36	Purlins 16ga
Wind Uplift Class 60	UL Construction Number 261	10.5	.032 Al	48	Purlins 16ga
Wind Uplift Class 90	UL Construction Number 261	10.5	22 CRS	60	Purlins 16ga
Wind Uplift Class 90	UL Construction Number 261	10.5	24 CRS	48	Purlins 16ga
Wind Uplift Class 90	UL Construction Number 445	12	22 CRS	60	Purlins 16ga
Wind Uplift Class 90	UL Construction Number 543	12	22 CRS	60	Purlins 16ga
Wind Uplift Class 90	UL Construction Number 343	12	24 CRS	36	19/32 Plywood
Wind Uplift Class 90	UL Construction Number 343	12	24 CRS	36	5/8 Gypsum
Wind Uplift Class 90	UL Construction Number 508A	12	24 CRS	36	Densdeck 1/2"
Wind Uplift Class 90	UL Construction Number 508A	12	24 CRS	36	Metal Deck 22ga
Wind Uplift Class 90	UL Construction Number 508A	12	24 CRS	36	Purlins 16ga
Wind Uplift Class 90	UL Construction Number 445	12	24 CRS	48	Purlins 16ga
Wind Uplift Class 90	UL Construction Number 508A	12	.032 Al	36	Densdeck 1/2"
Wind Uplift Class 90	UL Construction Number 508A	12	.032 Al	36	Metal Deck 22ga
Wind Uplift Class 90	UL Construction Number 508A	12	.032 Al	36	Purlins 16ga
Wind Uplift Class 90	UL Construction Number 254	12	22CRS	60	Purlins 16ga
Wind Uplift Class 90	UL Construction Number 254	12	24 CRS	48	Purlins 16ga
Wind Uplift Class 90	UL Construction Number 508A	16	24 CRS	36	Densdeck 1/2"
Wind Uplift Class 90	UL Construction Number 508A	16	24 CRS	36	Metal Deck 22ga
Wind Uplift Class 90	UL Construction Number 508A	16	24 CRS	36	Purlins 16ga

**1.5 inch
Nail Strip
Panel**



1.5 Inch Nailstrip Snap Lock

Architectural or structural standing seam panel.

1.5 inch rib height.

Gauges 22, 24, 26

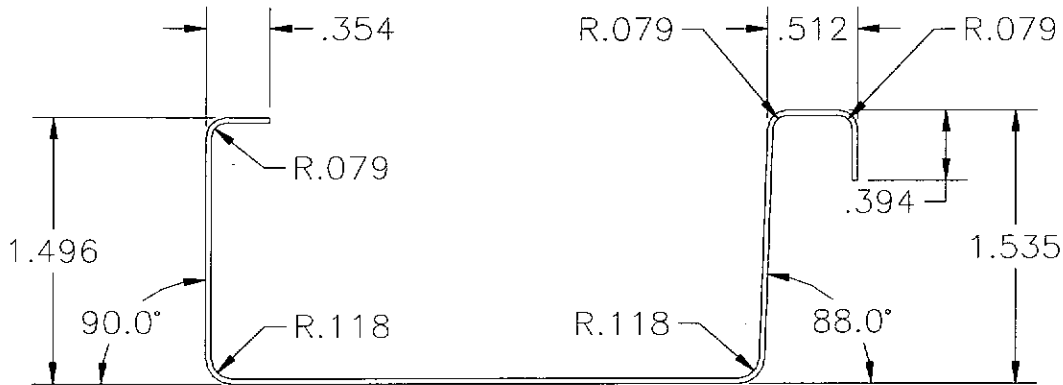
Screw fastening through slotted hole for limited thermal movement.

Applies over open purlin or solid substrate.

Fastest panel in the market for installation.

Type	Test Type	Width	Ga.	Fastener Spacing	Decking
Flexural Strength	ASTM 330	12	24 CRS	12	Purlins 16ga
Wind Uplift	Dade 80 MPH	15	24 CRS	12	1/2 Plywood
Wind Uplift	Dade 140 MPH	15	24 CRS	12	5/8 Plywood
Hail	UL Class 4	15	24 CRS	18	5/8 Plywood
Impact	Dade Impact	15	24 CRS	18	5/8 Plywood
Hail	UL Class 4	15	26 CRS	18	1/2 Plywood
Water	Dade Wind Driven Rain	16	24 CRS	18	5/8 Plywood
Wind Uplift Class 90	UL Construction Number 601	3/16	22 CRS	20 3/4	5/8 Plywood
Wind Uplift	ASTM 1592	12	24 CRS	12	Purlins 16ga

1.5 Inch Mechanical Lock Panel



1.5 Inch Mechanical Lock Panel

Architectural or structural standing seam panel

1.5 inch rib height.

Gauges 22, 24, 26

Specially designed clip for thermal movement.

Applies over solid substrate

Type	Test Type	Width	Ga.	Fastener Spacing	Decking
Air Infiltration	ASTM 283	16	24 CRS	36	5/8 Plywood
Water Infiltration	ASTM 331	16	24 CRS	36	5/8 Plywood
Wind Uplift Class 90	UL Construction Number 603	20	.032 Al	36	5/8 Plywood
Wind Uplift Class 90	UL Construction Number 603	16	.032 Zinc	36	5/8 Plywood
Wind Uplift Class 90	UL Construction Number 605	16	16 oz CU	36	5/8 Plywood
Wind Uplift	Dade 80 MPH	16	24 CRS	36	1/2 Plywood
Wind Uplift	Dade 140 MPH	16	24 CRS	36	5/8 Plywood
Impact	Dade Impact	16	24 CRS	36	5/8 Plywood
Water	Dade Wind Driven Rain	16	24 CRS	36	5/8 Plywood
Wind Uplift Class 90	UL Construction Number 588	16	24 CRS	36	5/8 Plywood
Wind Uplift Class 90	UL Construction Number 558	16	24 CRS	36	5/8 Plywood
Hail	UL Class 4	16	24 CRS	36	5/8 Plywood
Wind Uplift	ASTM 1592	18.25	24 CRS	36	Purlins 16ga
Flexural Strength	ASTM 330	18.25	24 CRS	36	Purlins 16ga
Wind Uplift	ASTM 1592	18.25	24 CRS	36	Purlins 16ga
Flexural Strength	ASTM 330	18.25	24 CRS	36	Purlins 16ga
Wind Uplift	ASTM 1592	18.25	24 CRS	36	Purlins 16ga
Flexural Strength	ASTM 330	18.25	24 CRS	36	Purlins 16ga