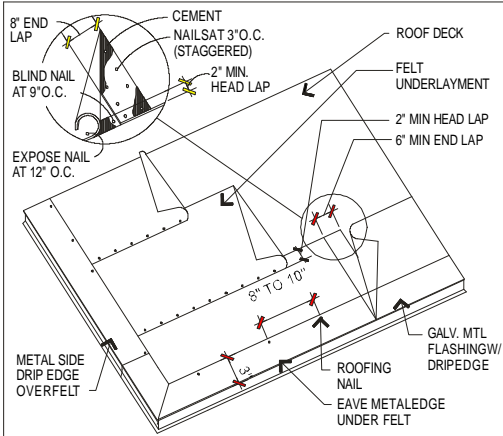
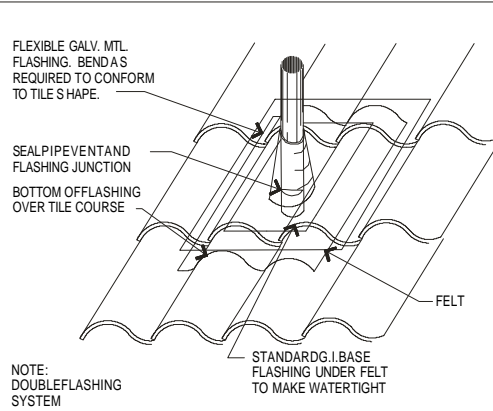


SUGGESTED FLASHING & OTHER DETAILS

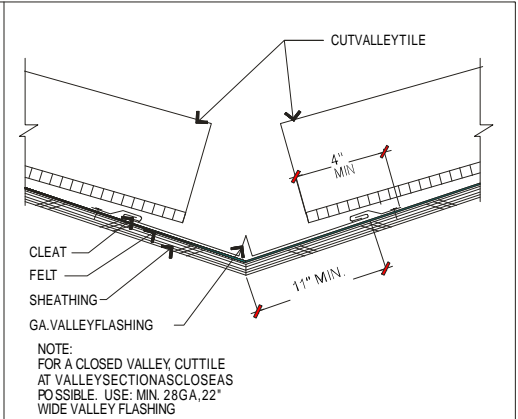
The following drawings and specifications are to be used as guidelines only. The applications shown may vary in accordance with local and governmental agencies having jurisdiction. All flashing must be designed and installed to be watertight. Scale drawings available upon request.



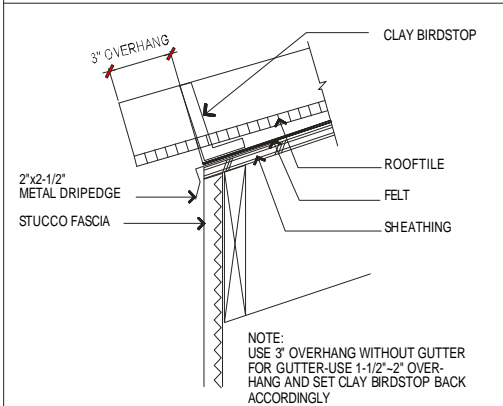
FELT UNDERLAYMENT



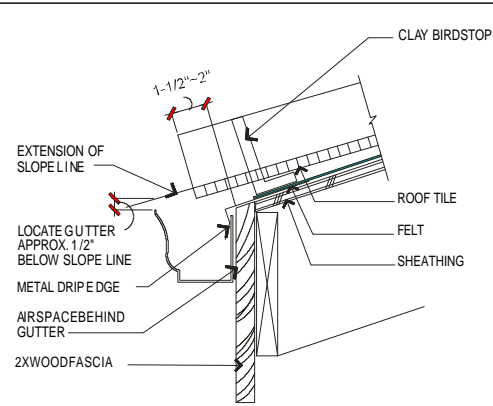
PLUMB'G VENT FLASH'G



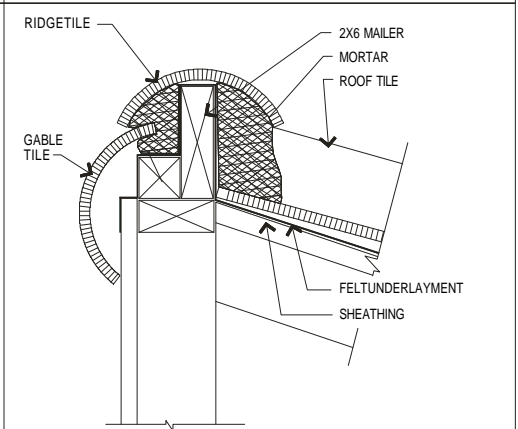
SECTION AT VALLEY



EAVE STUCCO FASCIA



EAVE-GUTTER/WD. FASCIA



TILE RIDGE/SINGLE SLOPE