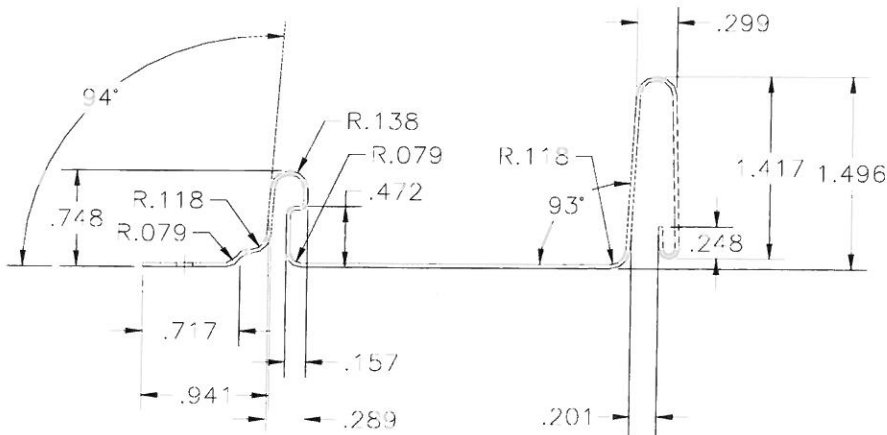


**1.5 Inch  
Nail Strip  
Panel**



**1.5 Inch Nailstrip Snap Lock**

Architectural or structural standing seam panel.

1.5 inch rib height.

Gauges 22, 24, 26

Screw fastening through slotted hole for limited thermal movement.

Applies over open purlin or solid substrate.

Fastest panel in the market for installation.

Type	Test Type	Width	Ga.	Fastener Spacing	Decking
<b>Flexural Strength</b>	ASTM 330	12	24 CRS	12	Purlins 16ga
<b>Wind Uplift</b>	Dade 80 MPH	15	24 CRS	12	1/2 Plywood
<b>Wind Uplift</b>	Dade 140 MPH	15	24 CRS	12	5/8 Plywood
<b>Hail</b>	UL Class 4	15	24 CRS	18	5/8 Plywood
<b>Impact</b>	Dade Impact	15	24 CRS	18	5/8 Plywood
<b>Hail</b>	UL Class 4	15	26 CRS	18	1/2 Plywood
<b>Water</b>	Dade Wind Driven Rain	16	24 CRS	18	5/8 Plywood
<b>Wind Uplift Class 90</b>	UL Construction Number 601	3/16	22 CRS	20 3/4	5/8 Plywood
<b>Wind Uplift</b>	ASTM 1592	12	24 CRS	12	Purlins 16ga
<b>Wind Uplift Class 90</b>	UL Construction Number 587	14.5	24 CRS	18	5/8 Plywood